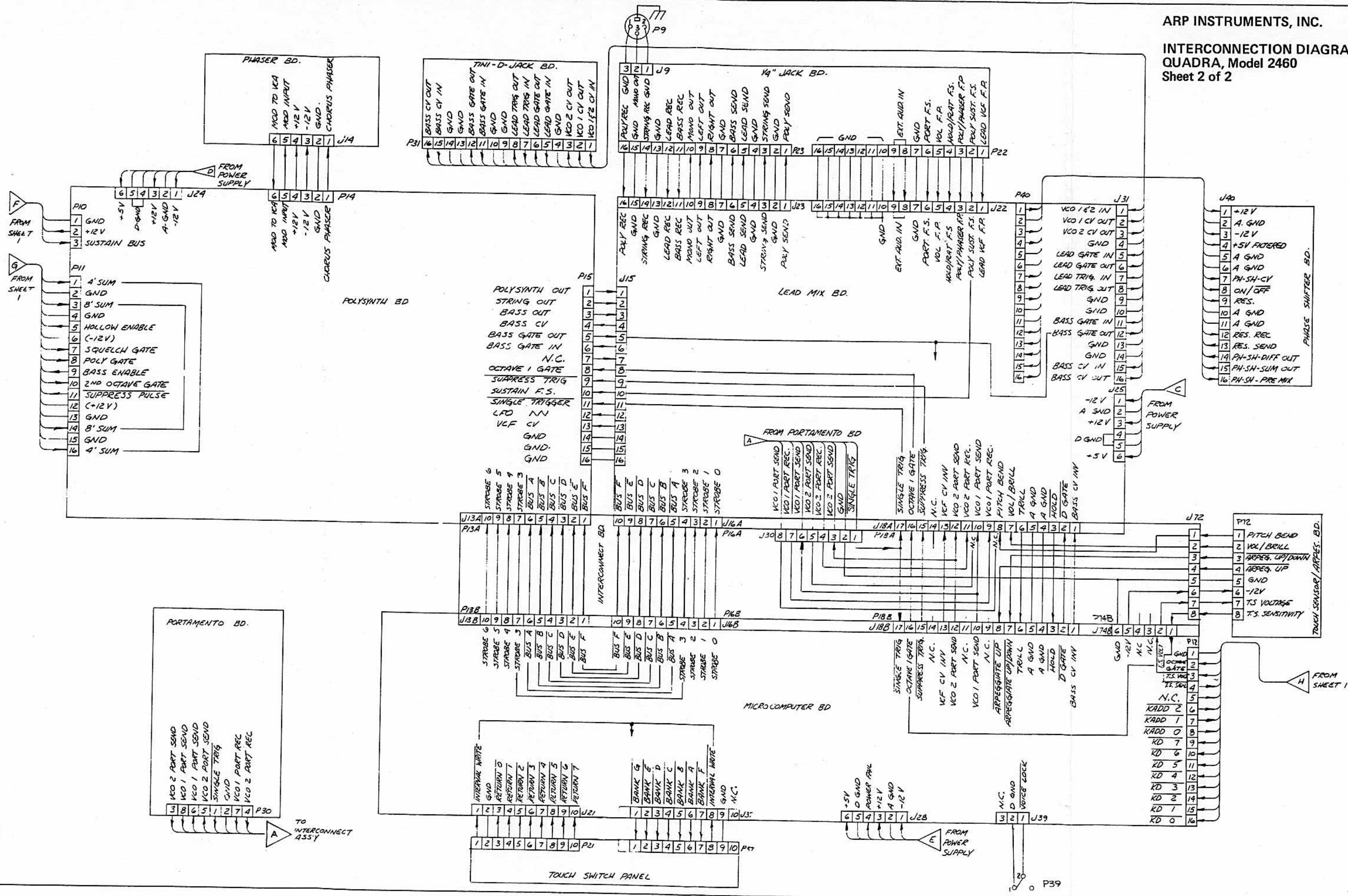
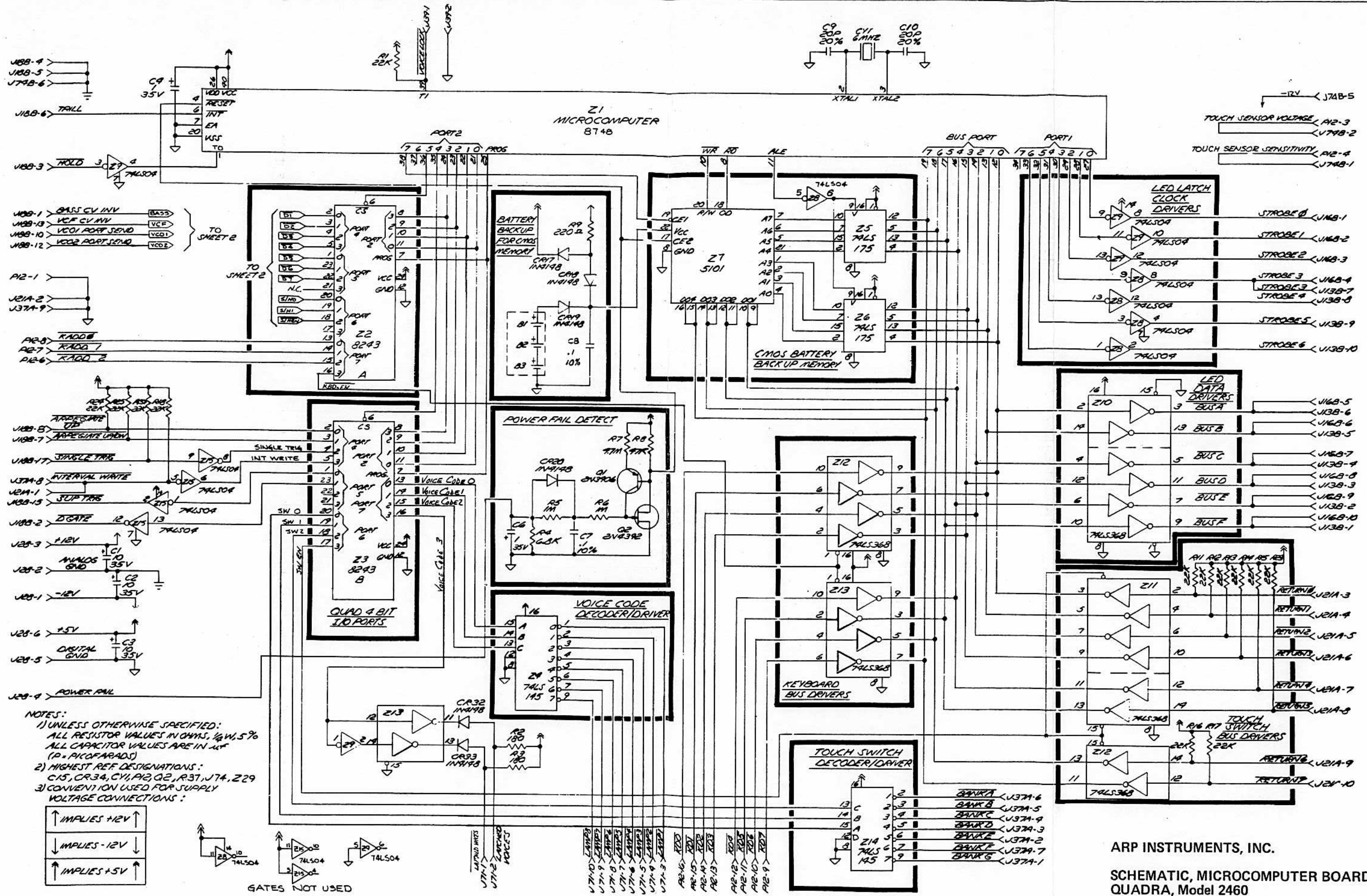


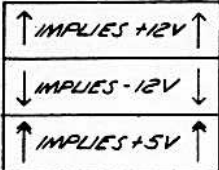
ARP INSTRUMENTS, INC.

INTERCONNECTION DIAGRAM
 QUADRA, Model 2460
 Sheet 1 of 2





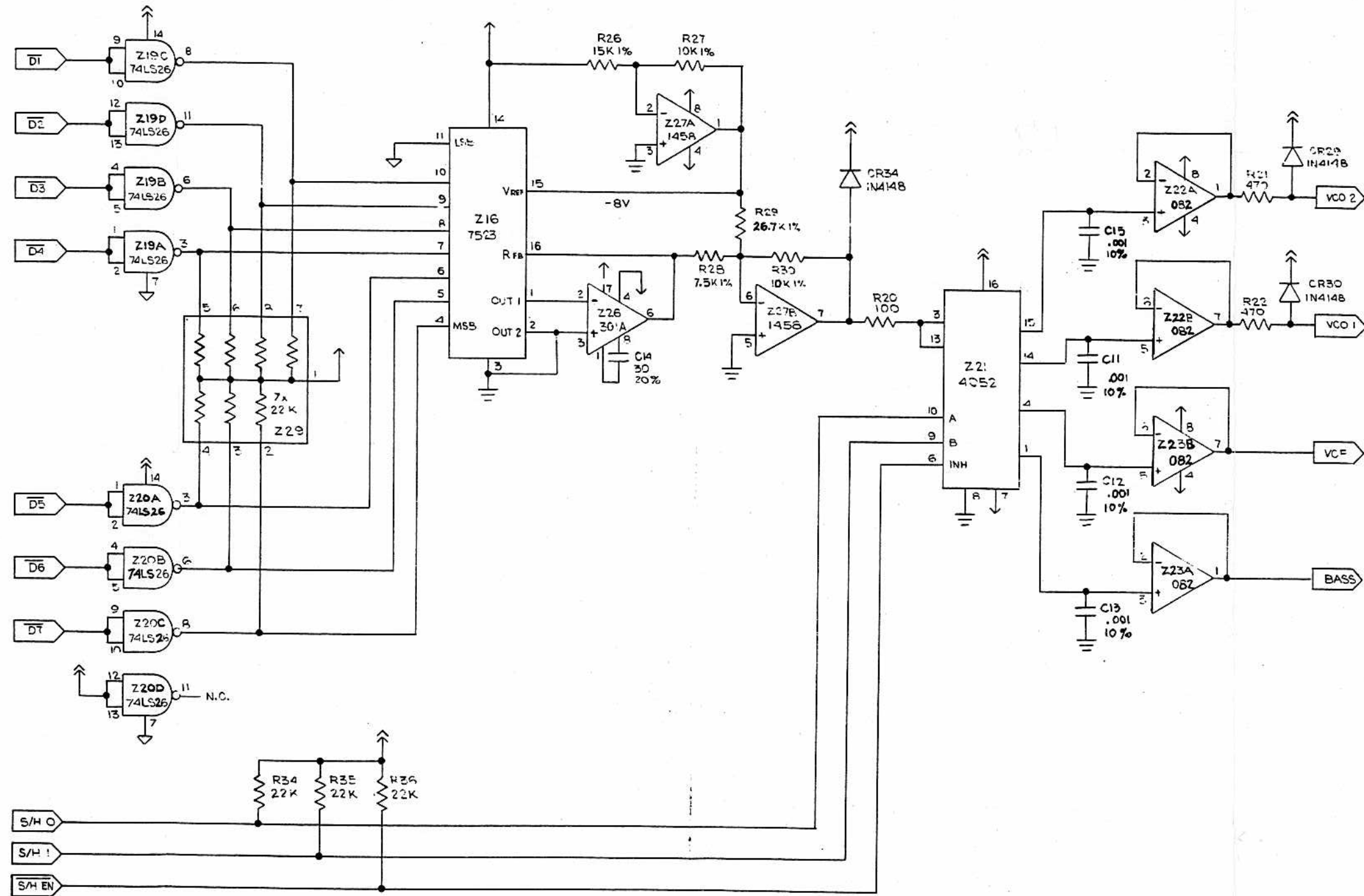
- NOTES:
- 1) UNLESS OTHERWISE SPECIFIED:
ALL RESISTOR VALUES IN OHMS, 1/4W, 5%
ALL CAPACITOR VALUES ARE IN μF
(10 = PICO FARADS)
 - 2) HIGHEST REF DESIGNATIONS:
C15, CR34, CV1, P12, Q2, R37, J74, Z29
 - 3) CONVENTION USED FOR SUPPLY
VOLTAGE CONNECTIONS:



GATES NOT USED

ARP INSTRUMENTS, INC.
SCHEMATIC, MICROCOMPUTER BOARD
QUADRA, Model 2460
Sheet 1 of 2

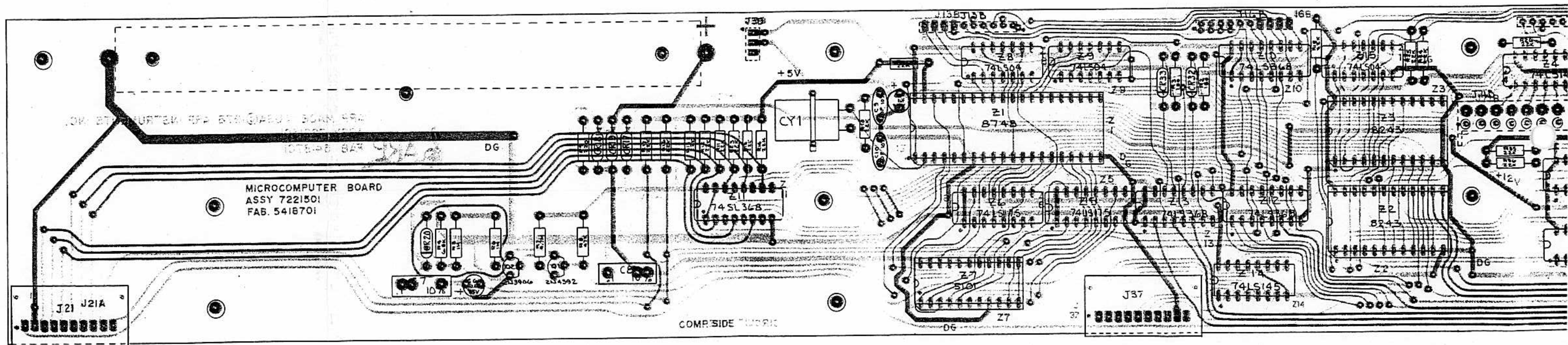
FROM SHEET 1

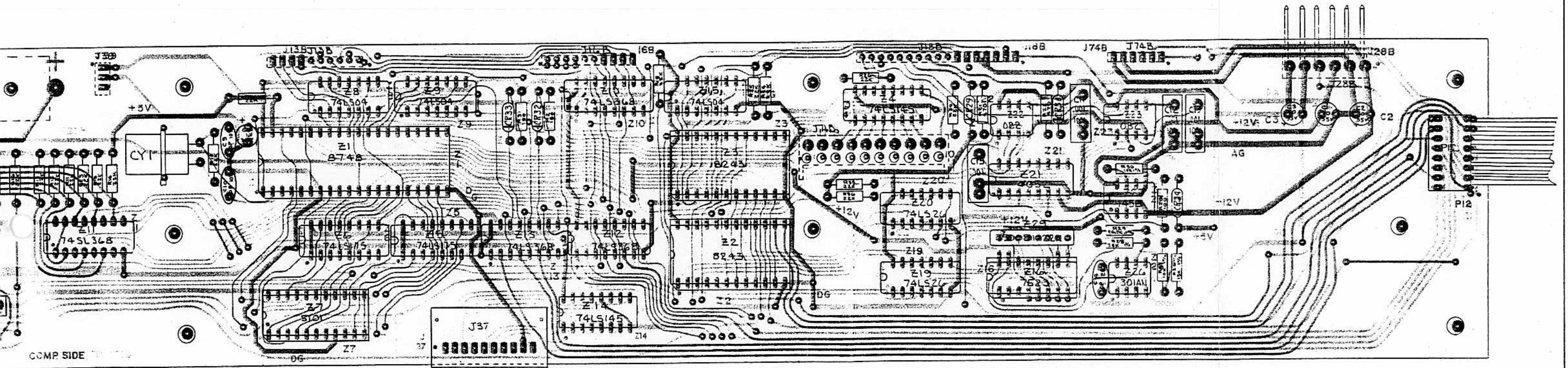


TO SHEET 1

ARP INSTRUMENTS, INC.

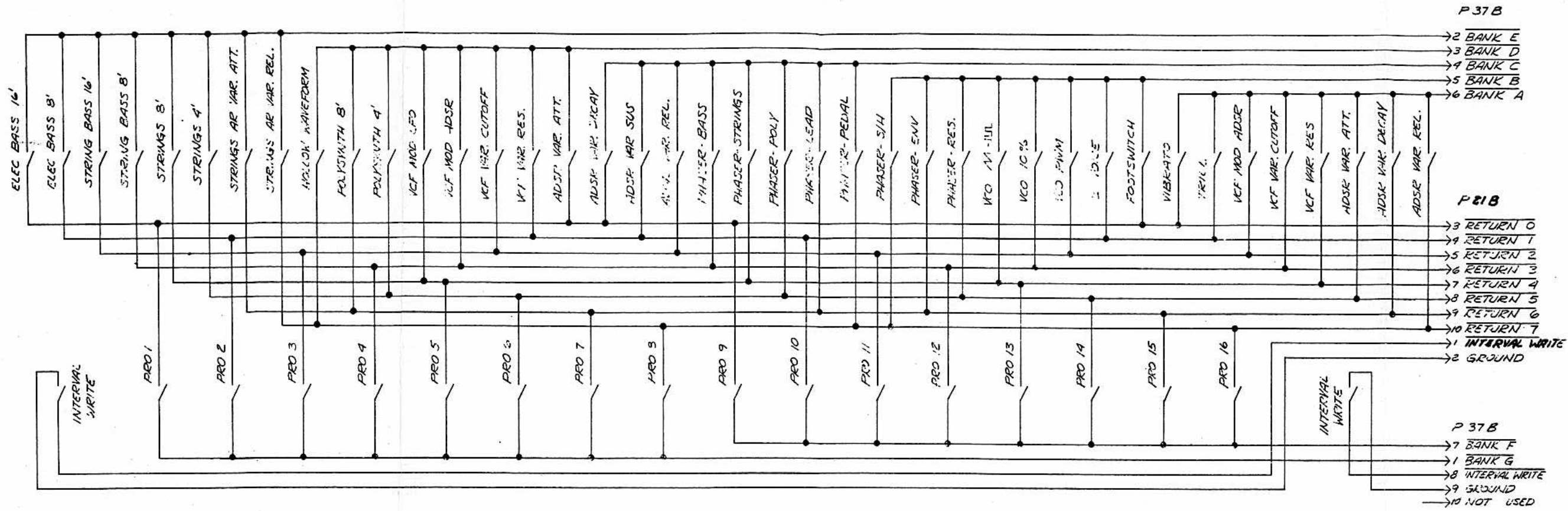
SCHEMATIC, MICROCOMPUTER BOARD
QUADRA, Model 2460
Sheet 2 of 2





ARP INSTRUMENTS, INC.
ASSEMBLY, MICROCOMPUTER BOARD
QUADRA, Model 2460

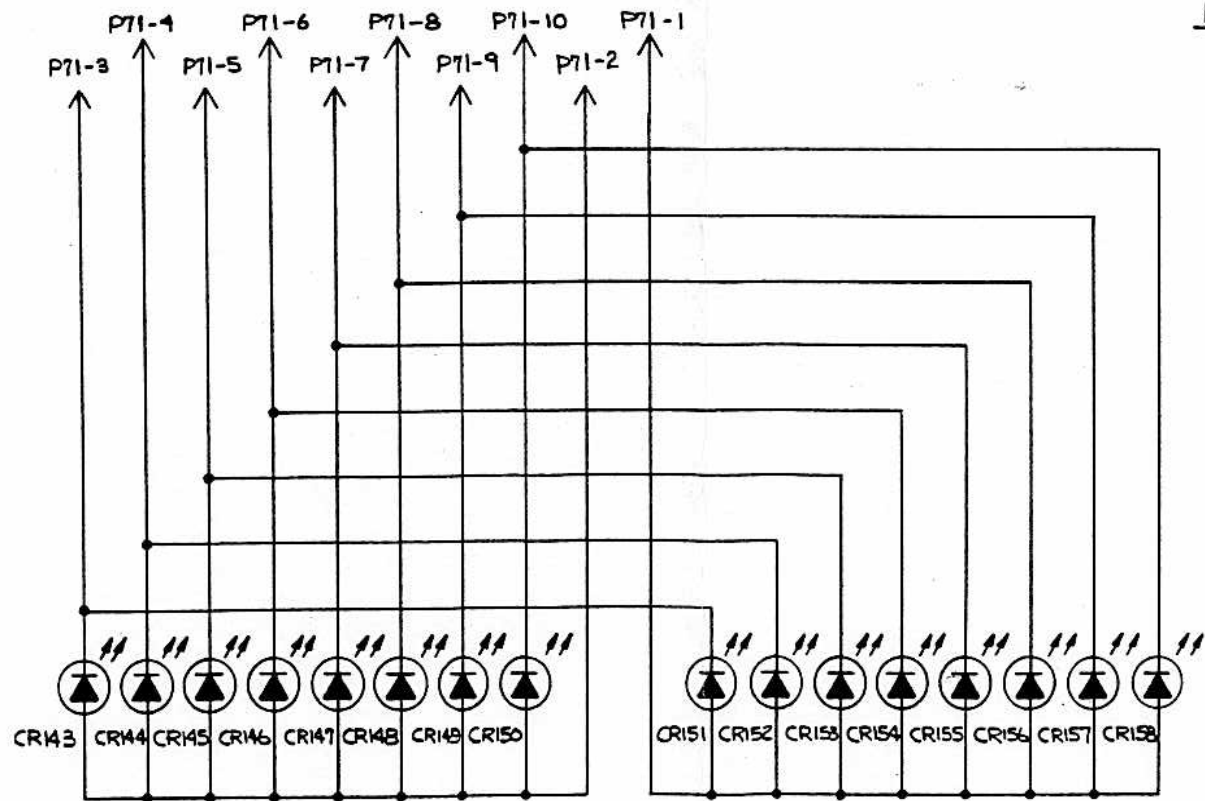
SWITCH ARRAY



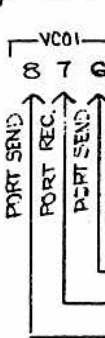
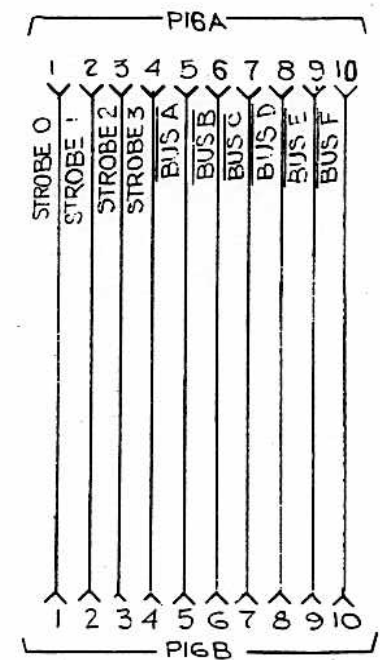
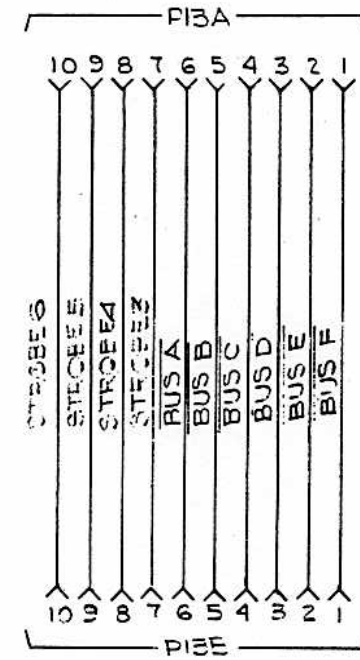
LATCH CODE - POLYSYNTH FUNCTION	DATA BUS	REC
ELEC BASS 16'	C	6
ELEC BASS 8'	D	6
STRING BASS 16'	E	6
STRING BASS 8'	F	5
STRINGS 8'	A	5
STRINGS 4'	B	5
STRING AR VAR ATT	C	5
STRING AR VAR REL	D	5
HOLLOW WAVEFORM	F	4
POLYSYNTH 8'	E	4
POLYSYNTH 4'	D	4
VCF MOD LFO	C	4
VCF MOD ADSR	B	4
VCF VAR CUTOFF	A	4
VCF VAR RES	F	5
ADSR VAR ATT	E	5
ADSR VAR DELAY	A	3
ADSR VAR SUS	B	3
ADSR VAR REL	C	3

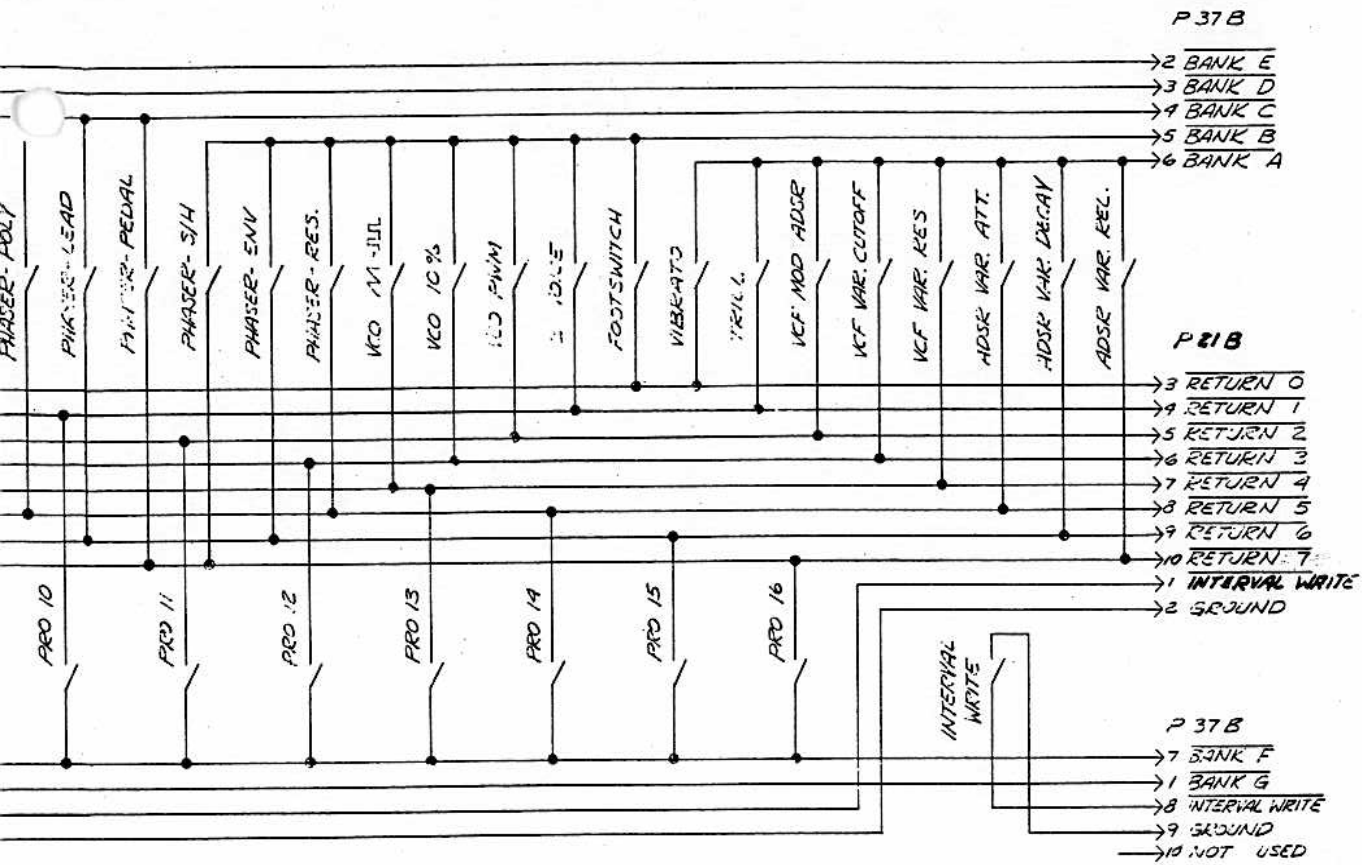
NOTE:

1. UNLESS OTHERWISE SPECIFIED:
ALL DIODES ARE 1N4148.



ARP INSTRUMENTS, INC.
SCHEMATIC, LED BOARD
QUADRA, Model 2460





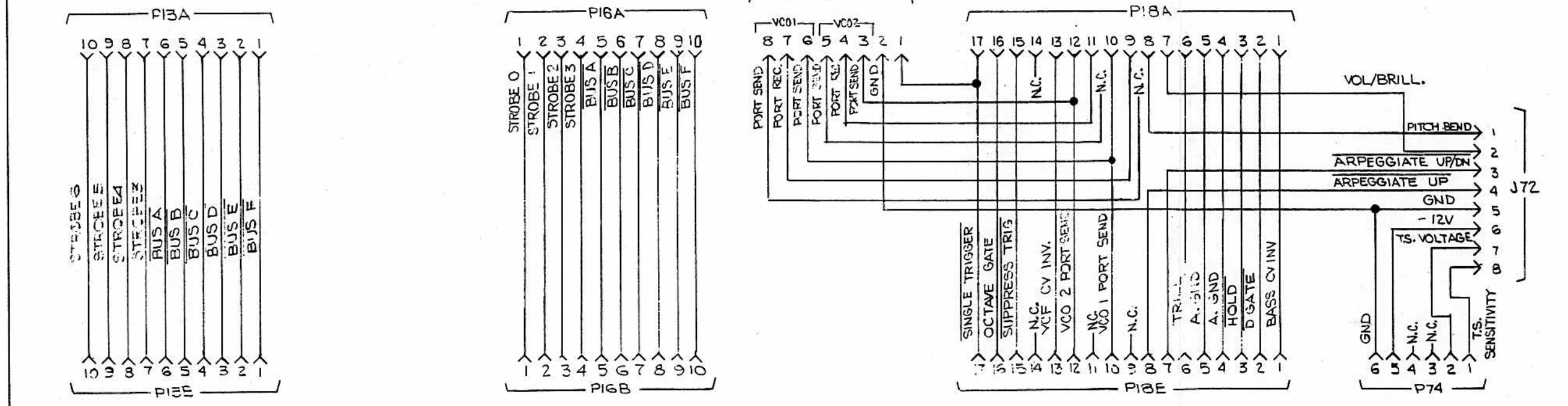
LATCH CODE - POLYSYNTH FUNCTION	DATA BUS	STROBE
ELEC BASS 16'	C	6
ELEC BASS 8'	D	6
STRING BASS 16'	E	6
STRING BASS 8'	F	5
STRINGS 8'	A	5
STRINGS 4'	B	5
STRING AR VAR ATT	C	5
STRING AR VAR REL	D	5
HOLLOW WAVEFORM	F	4
POLYSYNTH 8'	E	4
POLYSYNTH 4'	D	4
VCF MOD LFO	C	4
VCF MOD ADSR	B	4
VCF VAR CUTOFF	A	4
VCF VAR RES	F	5
ADSR VAR ATT	E	5
ADSR VAR DELAY	A	3
ADSR VAR SUS	B	3
ADSR VAR REL	C	3

LATCH CODE - PHASER FUNCTION	DATA BUS	STROBE
PHASER - BASS	D	3
PHASER - STRINGS	E	3
PHASER - POLY	F	3
PHASER - LEAD	A	2
PHASER - PEDAL	B	2
PHASER - S/H	D	1
PHASER - ENV	C	1
PHASER - RES	B	1

LATCH CODE - LEAD FUNCTION	DATA BUS	STROBE
VCO 1A	A	1
VCO 10%	F	2
VCO PWM	E	2
2 VOICE	D	2
FOOTSWITCH	C	2
VIBRATO	E	1
TRILL	F	1
VCF MOD ADSR	A	0
VCF VAR CUTOFF	B	0
VCF VAR RES	C	0
ADSR VAR ATT	D	0
ADSR VAR DECAY	E	0
ADSR VAR REL	F	0

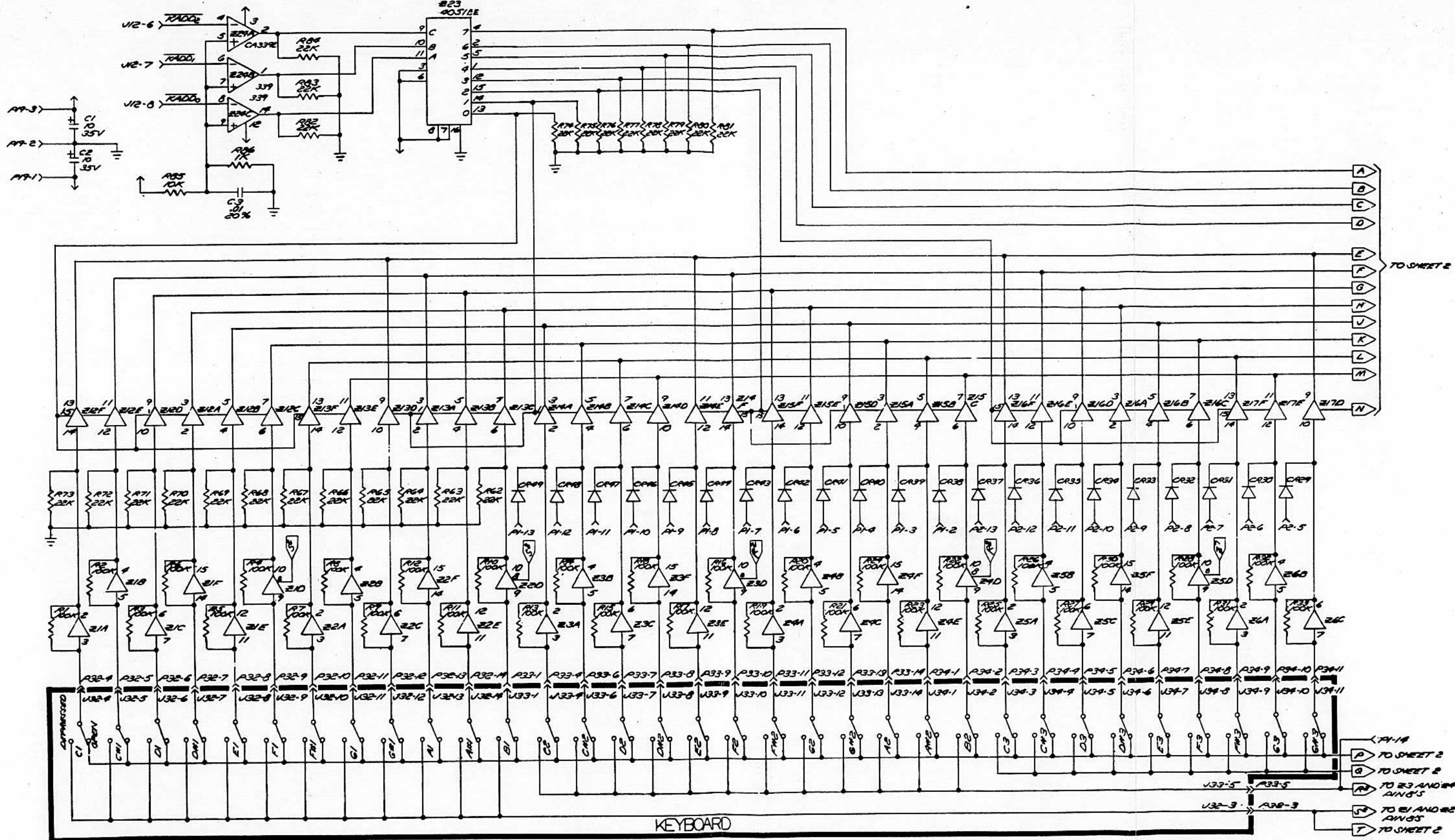
ARP INSTRUMENTS, INC.
SCHEMATIC, TOUCH SWITCH PANEL QUADRA, Model 2460

AS OTHERWISE SPECIFIED:
DIODES ARE 1N4148.

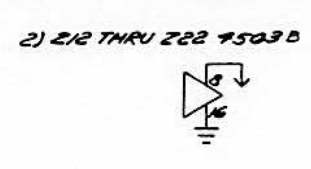
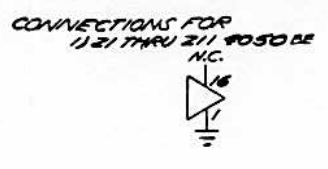
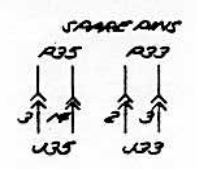


ARP INSTRUMENTS, INC.
SCHEMATIC, LED BOARD QUADRA, Model 2460

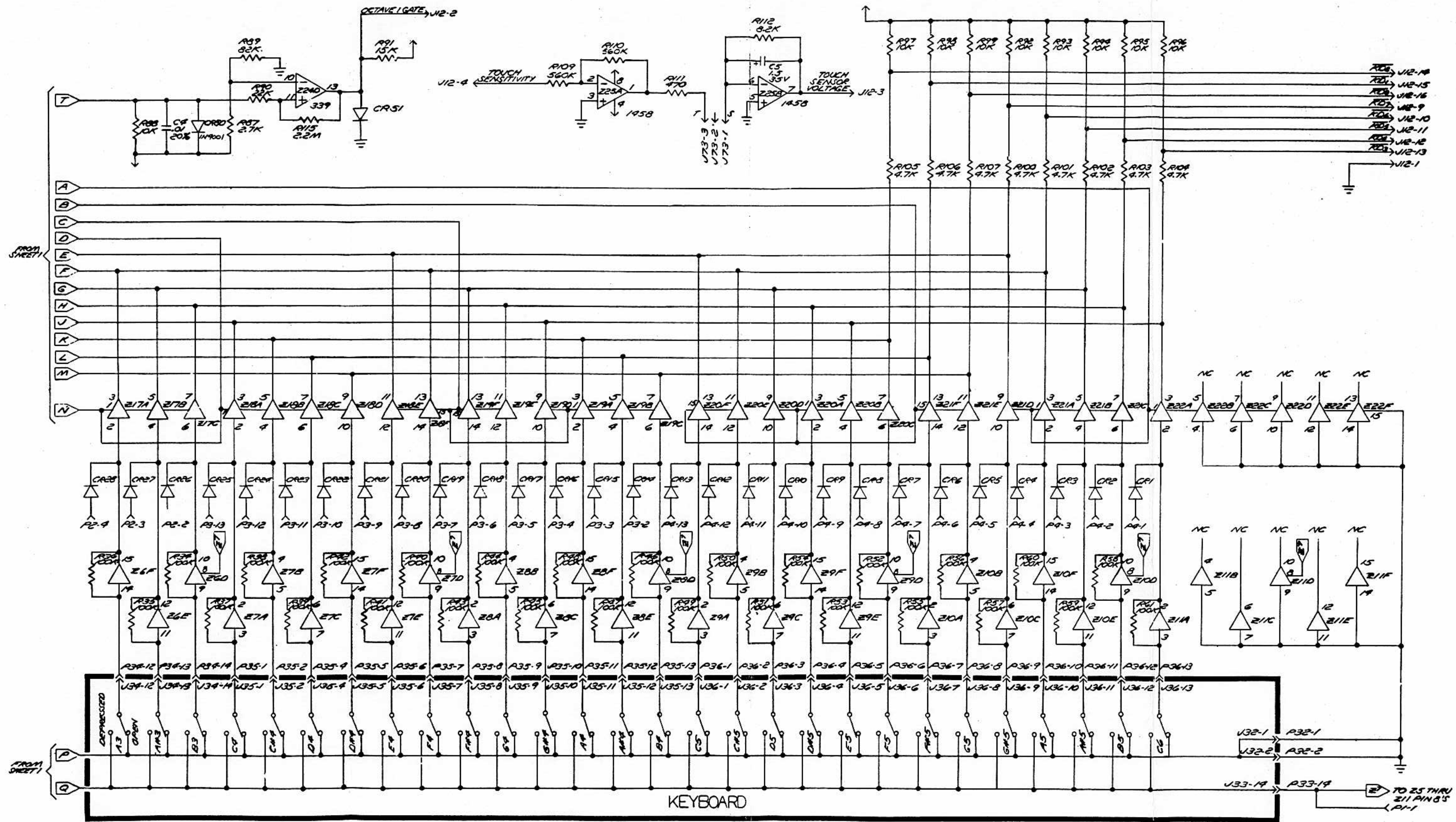
ARP INSTRUMENTS, INC.
SCHEMATIC, INTERCONNECT BOARD QUADRA, Model 2460



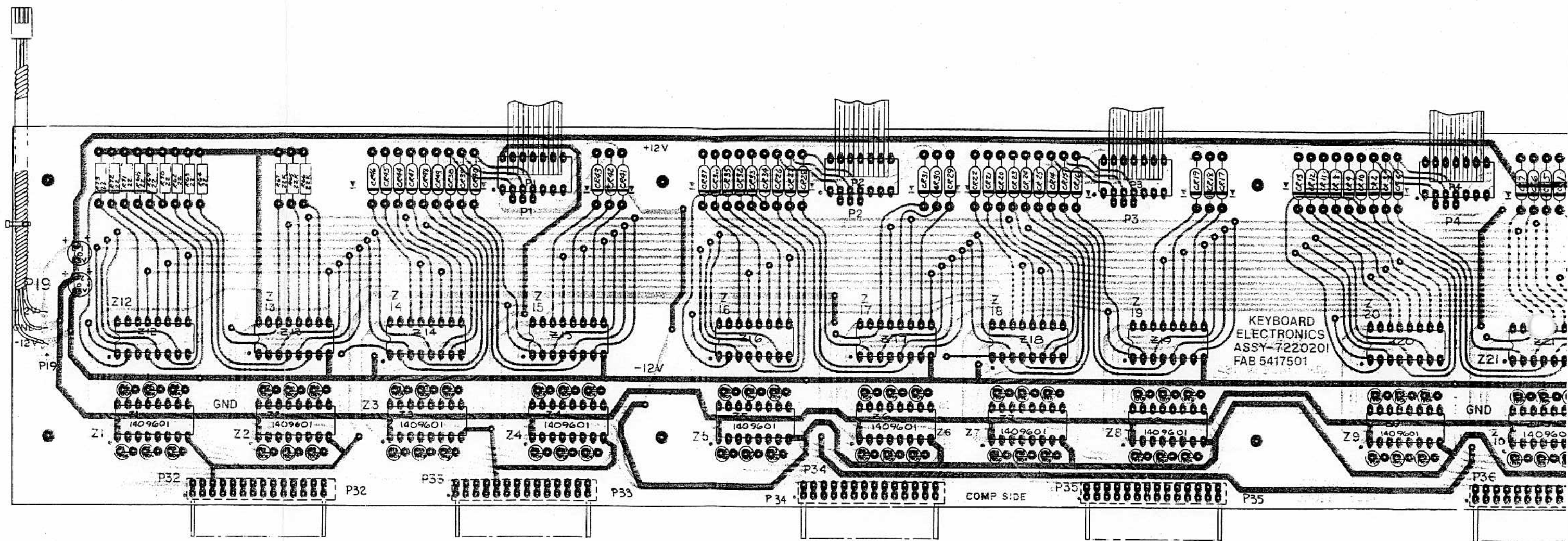
NOTES:
 1) UNLESS OTHERWISE SPECIFIED:
 ALL RESISTOR VALUES ARE IN OHMS, 1/4W, 5%
 ALL CAPACITOR VALUES ARE IN μF (μ = MICROFARADS)
 ALL DIODES ARE ALL IN4008
 2) HIGHEST PART DESIGNATIONS:
 C5, CR51, U73, P19, R115, Z25
 3) CONVENTION USED FOR SUPPLY VOLTAGE CONNECTIONS:
 ↑ IMPULSES +16V ↑
 ↓ IMPULSES -16V ↓



ARP INSTRUMENTS, INC.
 SCHEMATIC, KEYBOARD ELECTRONICS BOARD
 QUADRA, Model 2460
 Sheet 1 of 2

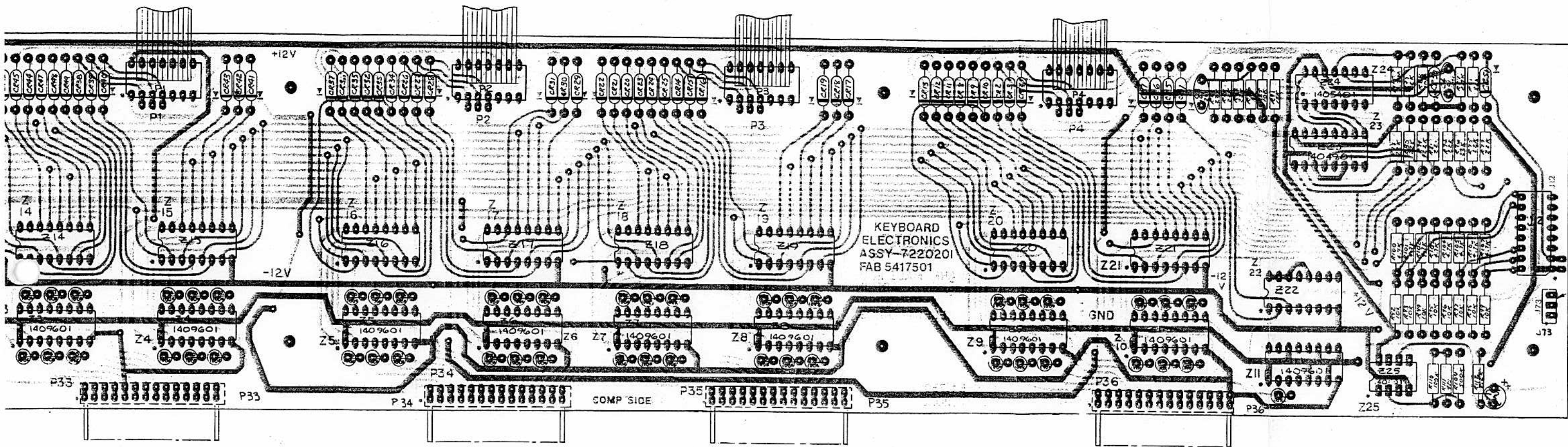


ARP INSTRUMENTS, INC.
 SCHEMATIC, KEYBOARD ELECTRONICS BOARD
 QUADRA, Model 2460
 Sheet 2 of 2

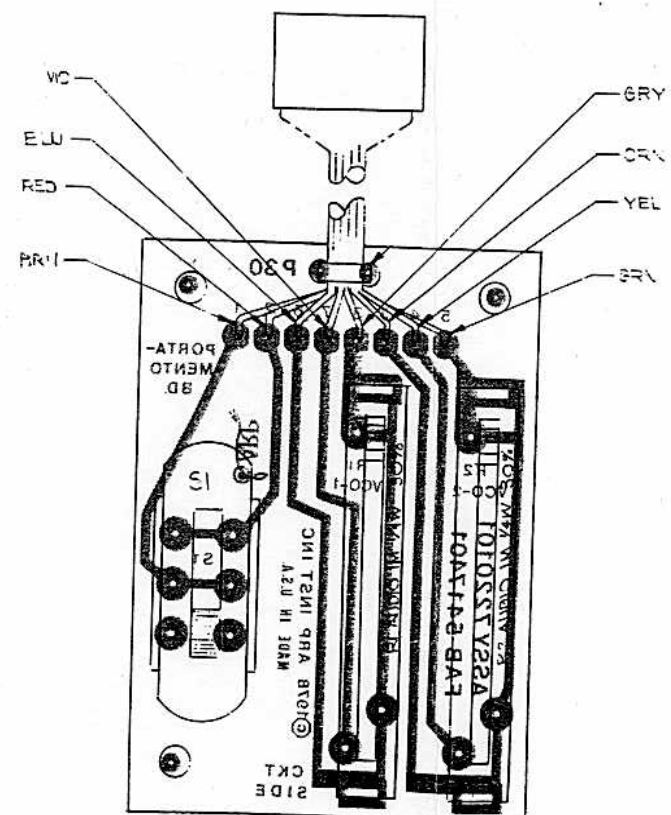
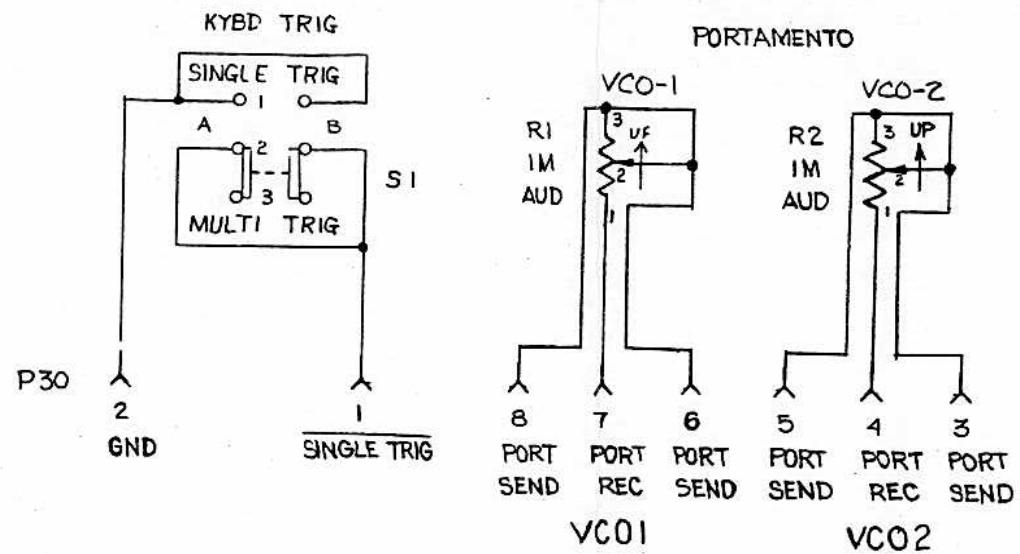


NOTES:

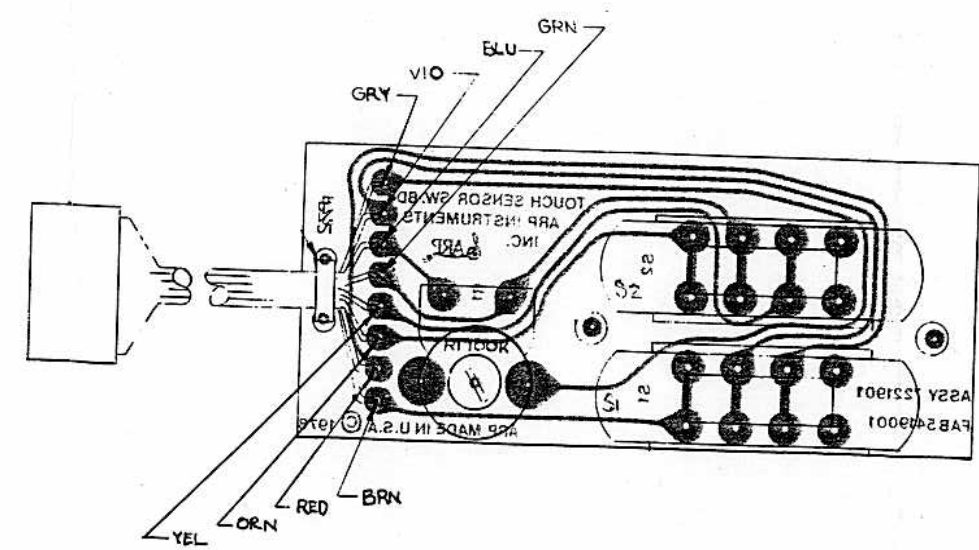
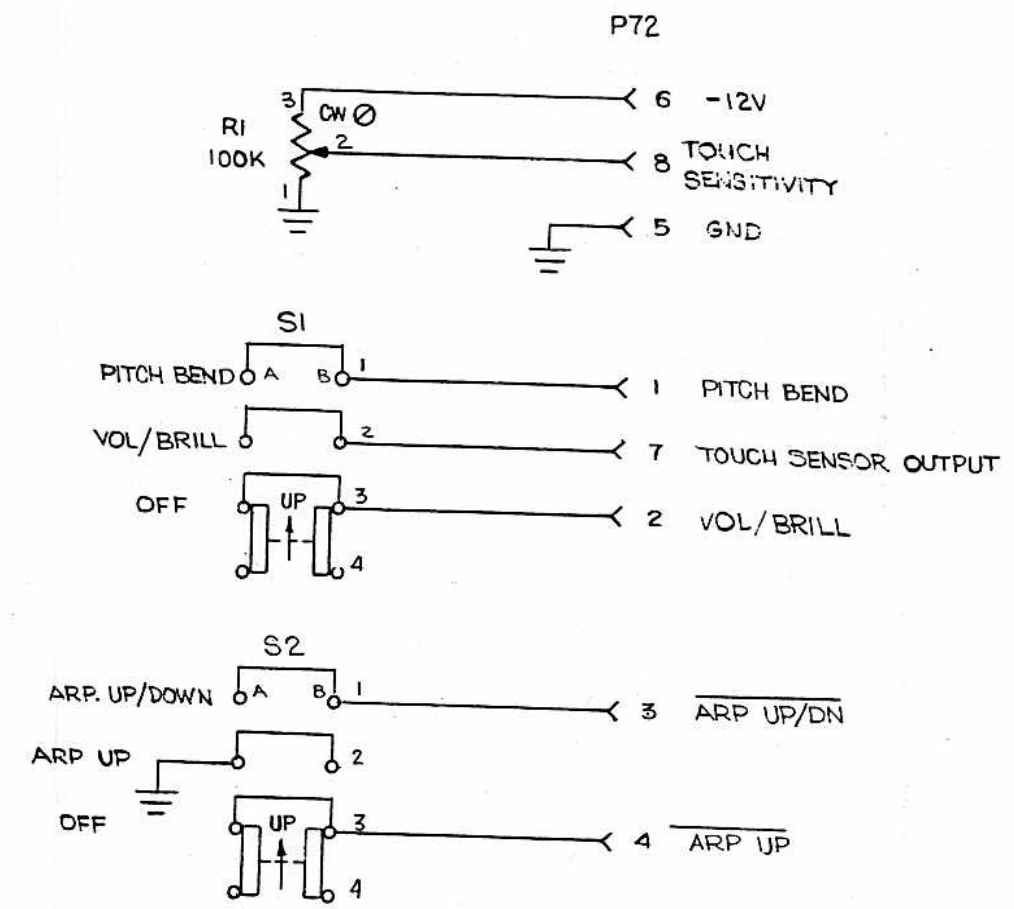
- 1. UNLESS OTHERWISE SPECIFIED:
 RESISTOR VALUES ARE IN OHMS, $\frac{1}{4}$ W, 5%.
 CAPACITOR VALUES μ f (P= PICO FARADS).
 DIODES ARE IN4148.



ARP INSTRUMENTS, INC.
 ASSEMBLY, KEYBOARD ELECTRONICS BOARD
 QUADRA, Model 2460



ARP INSTRUMENTS, INC.
SCHEMATIC & ASSEMBLY, PORTAMENTO BOARD
QUADRA, Model 2460

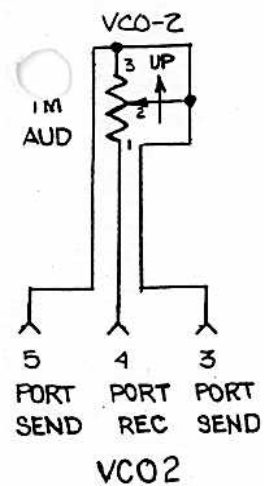


ARP INSTRUMENTS, INC.
SCHEMATIC & ASSEMBLY, TOUCH SENSOR SWITCH BOARD
QUADRA, Model 2460

- BASS CV OUT ←
- BASS CV IN ←
- GND ←
- GND ←
- BASS GATE OUT ←
- BASS GATE IN ←
- GND ←
- GND ←
- LEAD TRIG OUT ←
- LEAD TRIG IN ←

- LEAD GATE OUT ←
- LEAD GATE IN ←
- GND ←
- VCO2 CV OUT ←
- VCO1 CV OUT ←
- VCO 1#2 CV IN ←

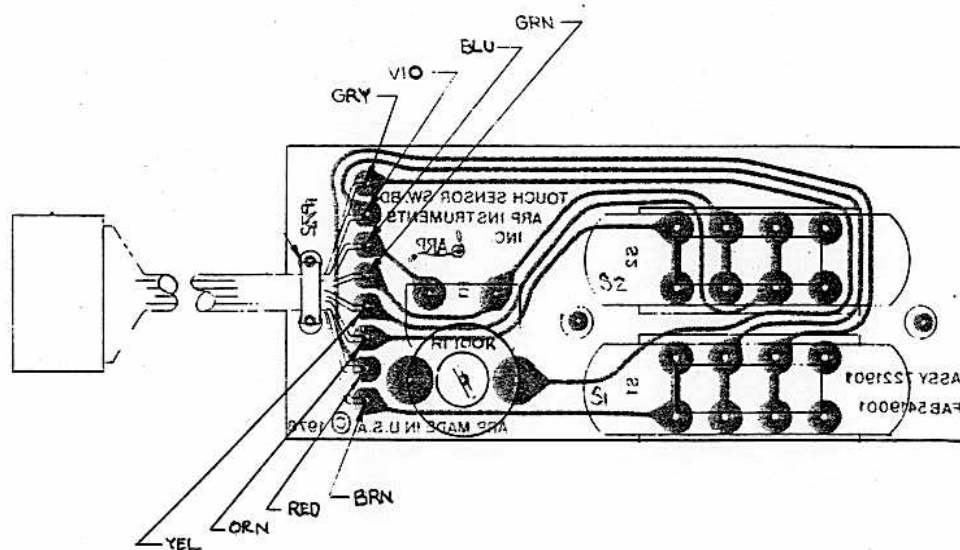
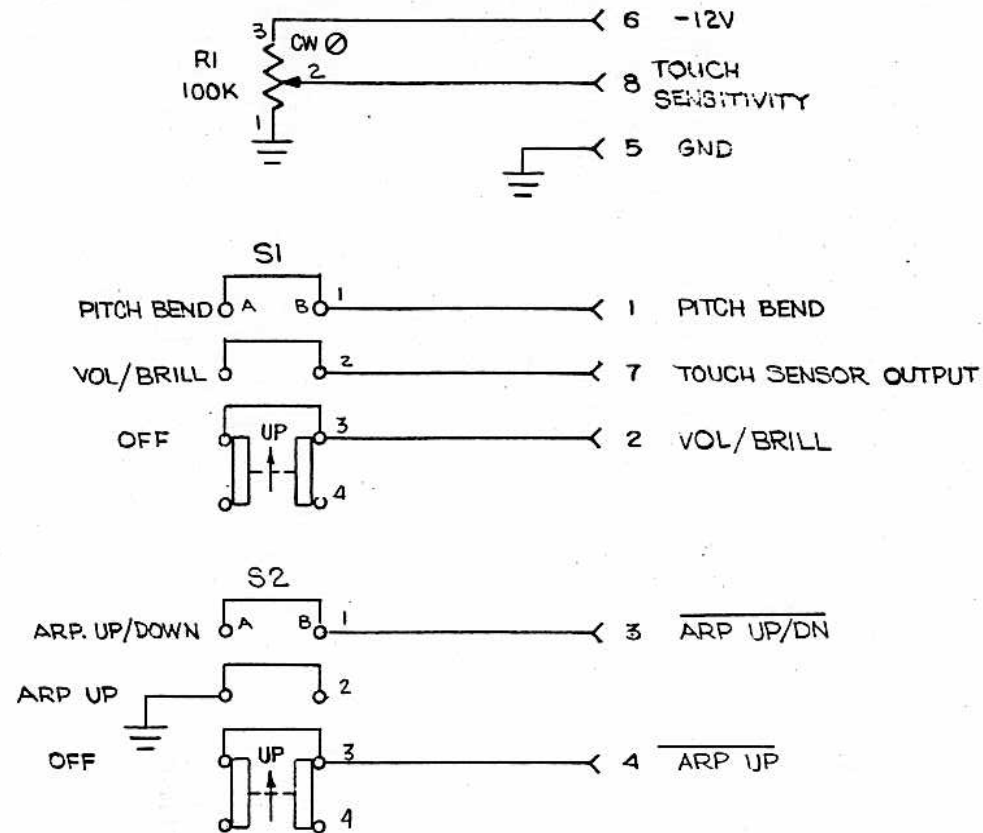
AMENTO



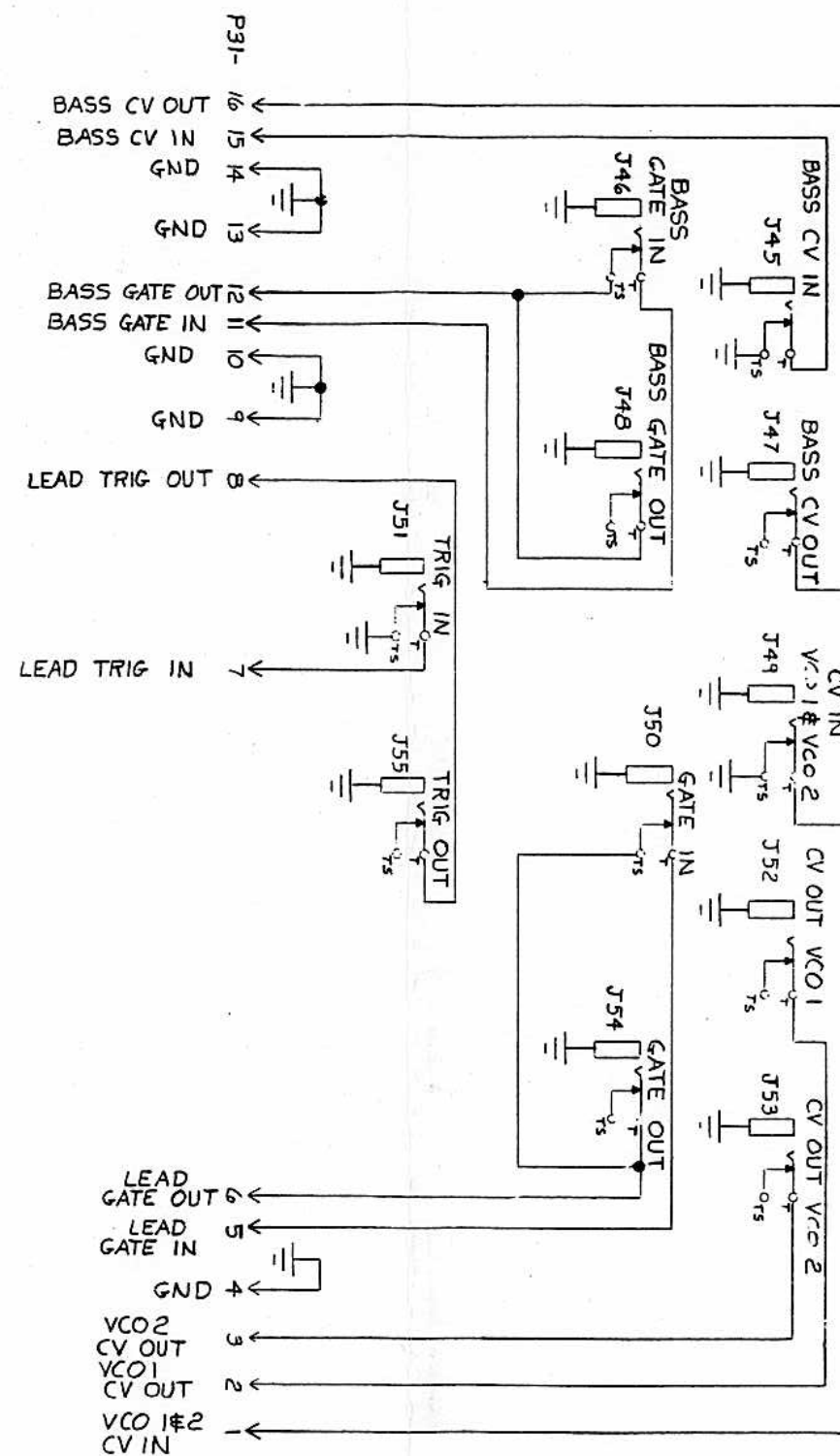
GRY
GRN
BLU
BRN
YEL

PORTAMENTO BOARD

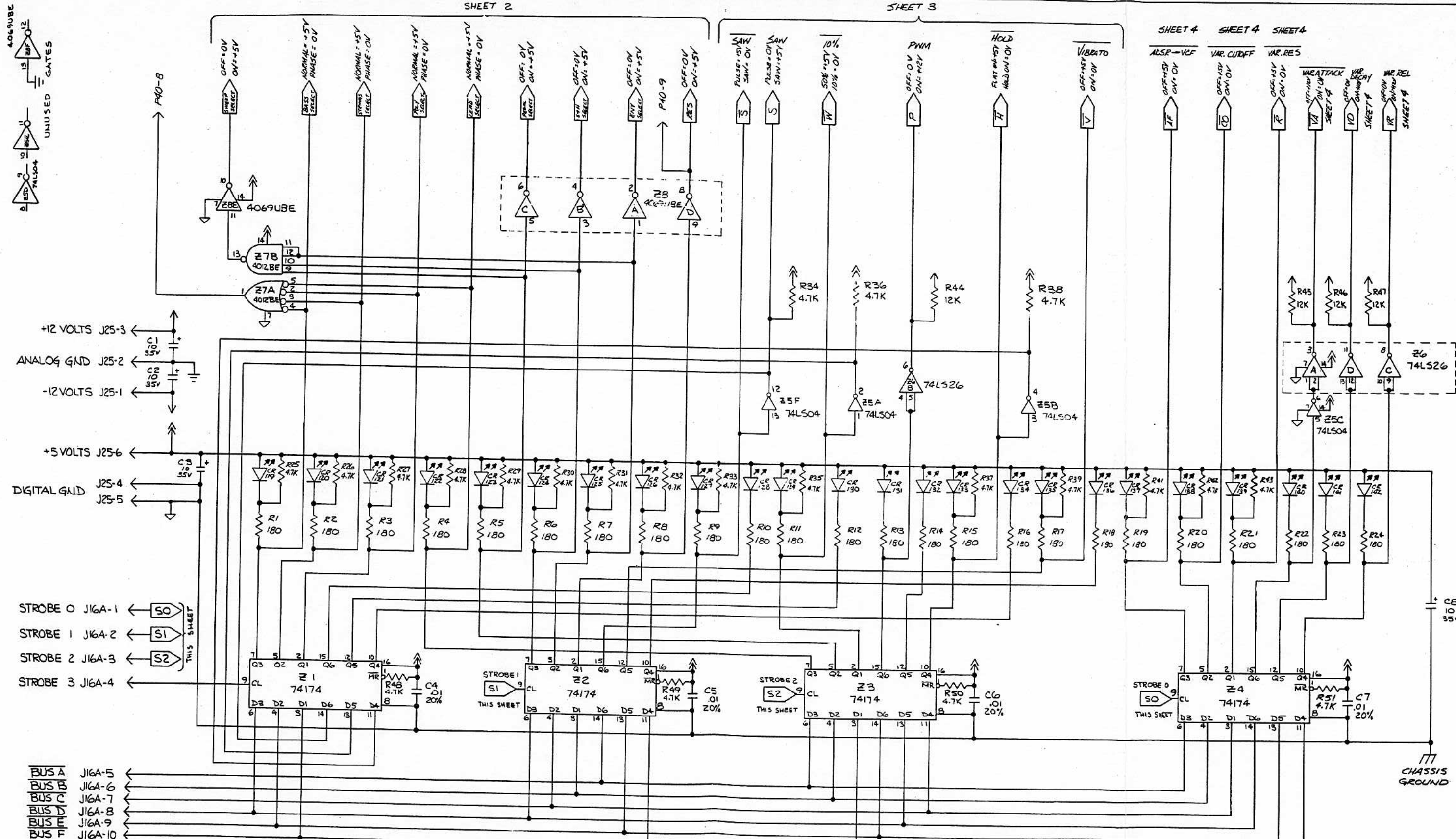
P72



ARP INSTRUMENTS, INC.
SCHEMATIC & ASSEMBLY, TOUCH SENSOR SWITCH BOARD
QUADRA, Model 2460

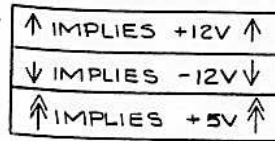


ARP INSTRUMENTS, INC.
SCHEMATIC, TINY "D" JACK BOARD
QUADRA, Model 2460

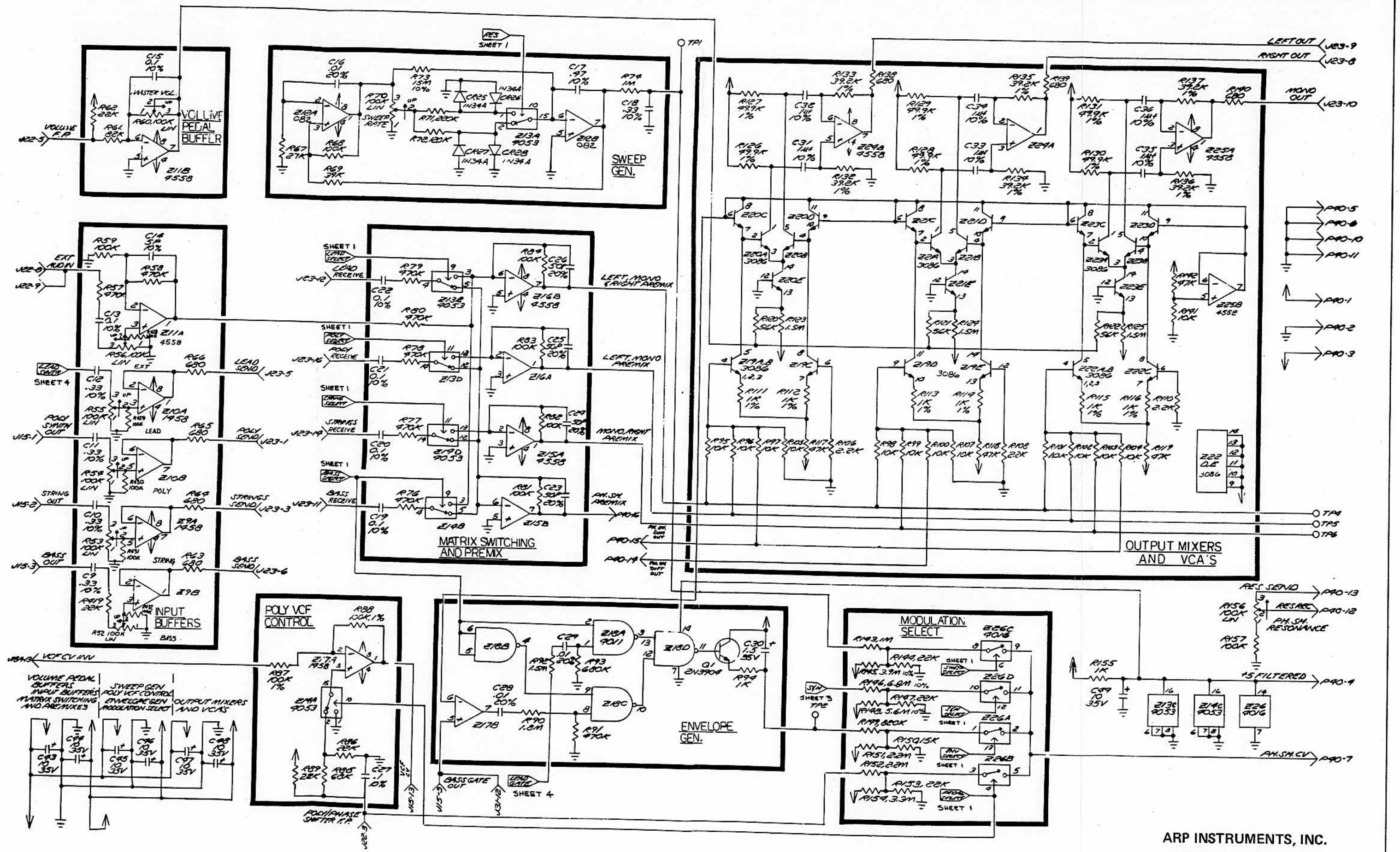


NOTES:
 1. UNLESS OTHERWISE SPECIFIED:
 RESISTOR VALUES ARE IN OHMS, $\frac{1}{4}$ W 5%.
 CAPACITOR VALUES ARE IN μ f (P=PIKOFARADS).
 DIODES ARE 1N4148, CR119-127, 129, 131-133, 135-142 ARE FLV310 LED'S, CR128, 130, 134 ARE FLV310, LED'S.
 2. HIGHEST REF. DESIGNATIONS ARE: C136, CR142, R432, Z76, Q22, P40, J31, S1, M1.

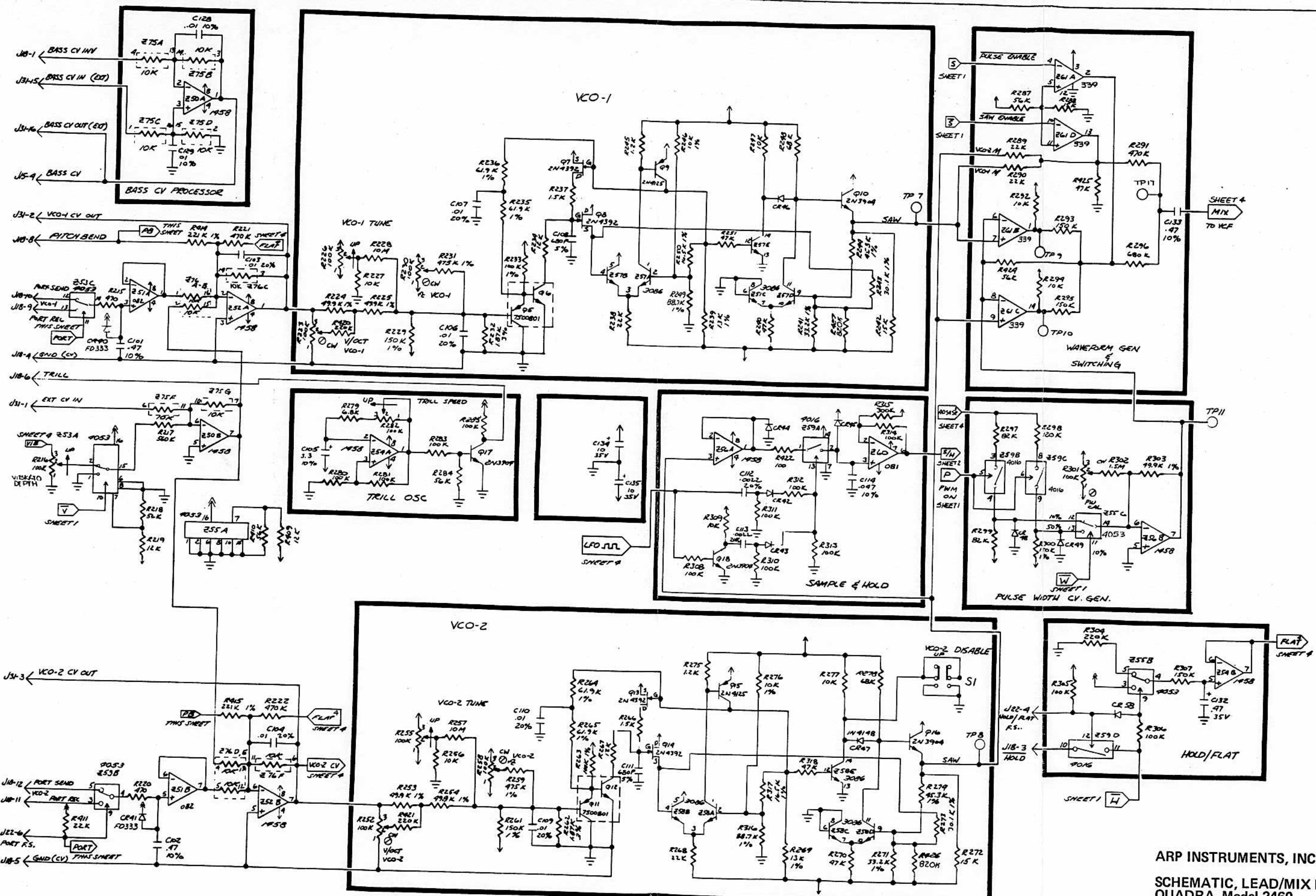
3. CONVENTIONS USED FOR SUPPLY VOLTAGE CONNECTIONS:



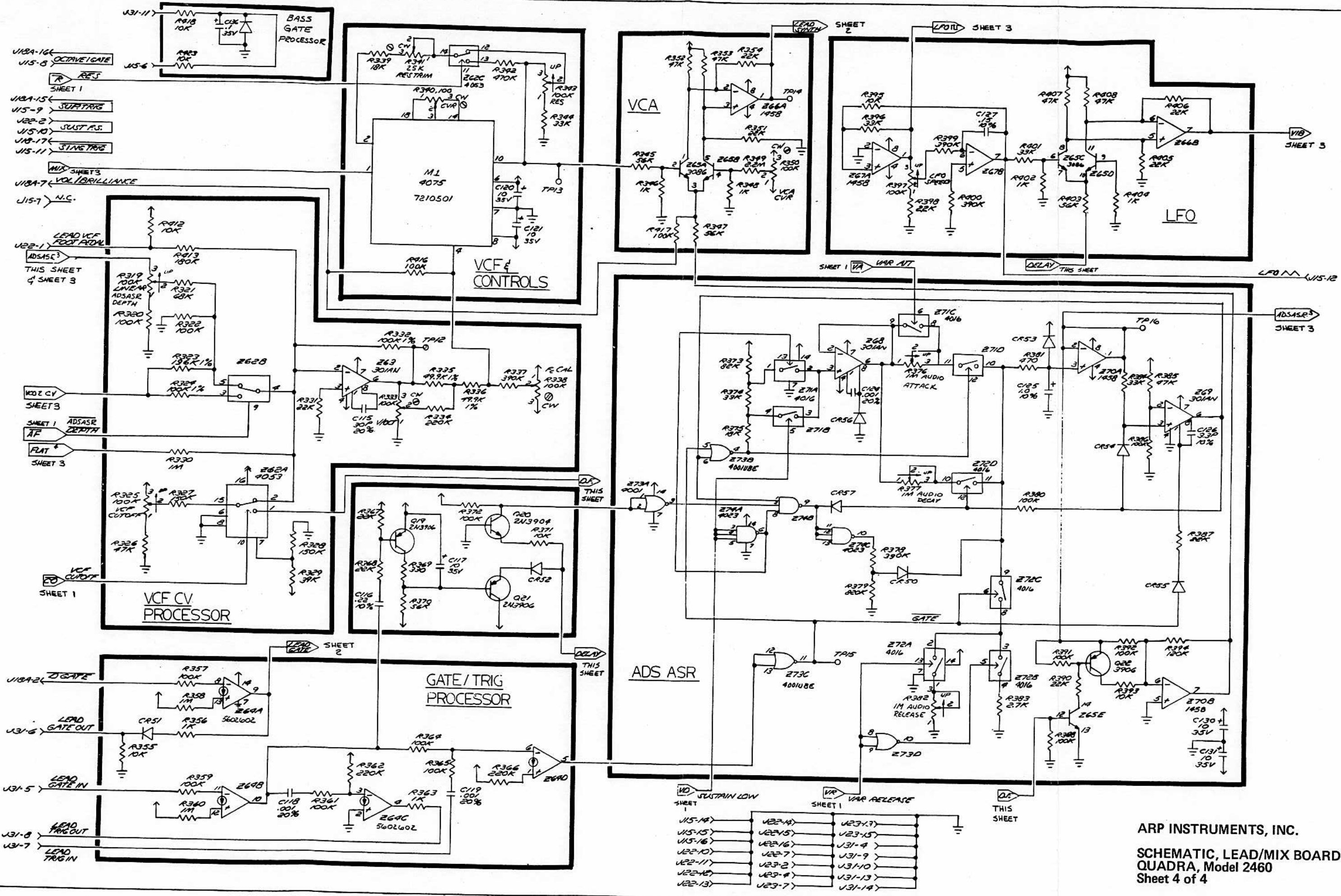
ARP INSTRUMENTS, INC.
 SCHEMATIC, LEAD/MIX BOARD
 QUADRA, Model 2460
 Sheet 1 of 4



ARP INSTRUMENTS, INC.
 SCHEMATIC, LEAD/MIX BOARD
 QUADRA, Model 2460
 Sheet 2 of 4

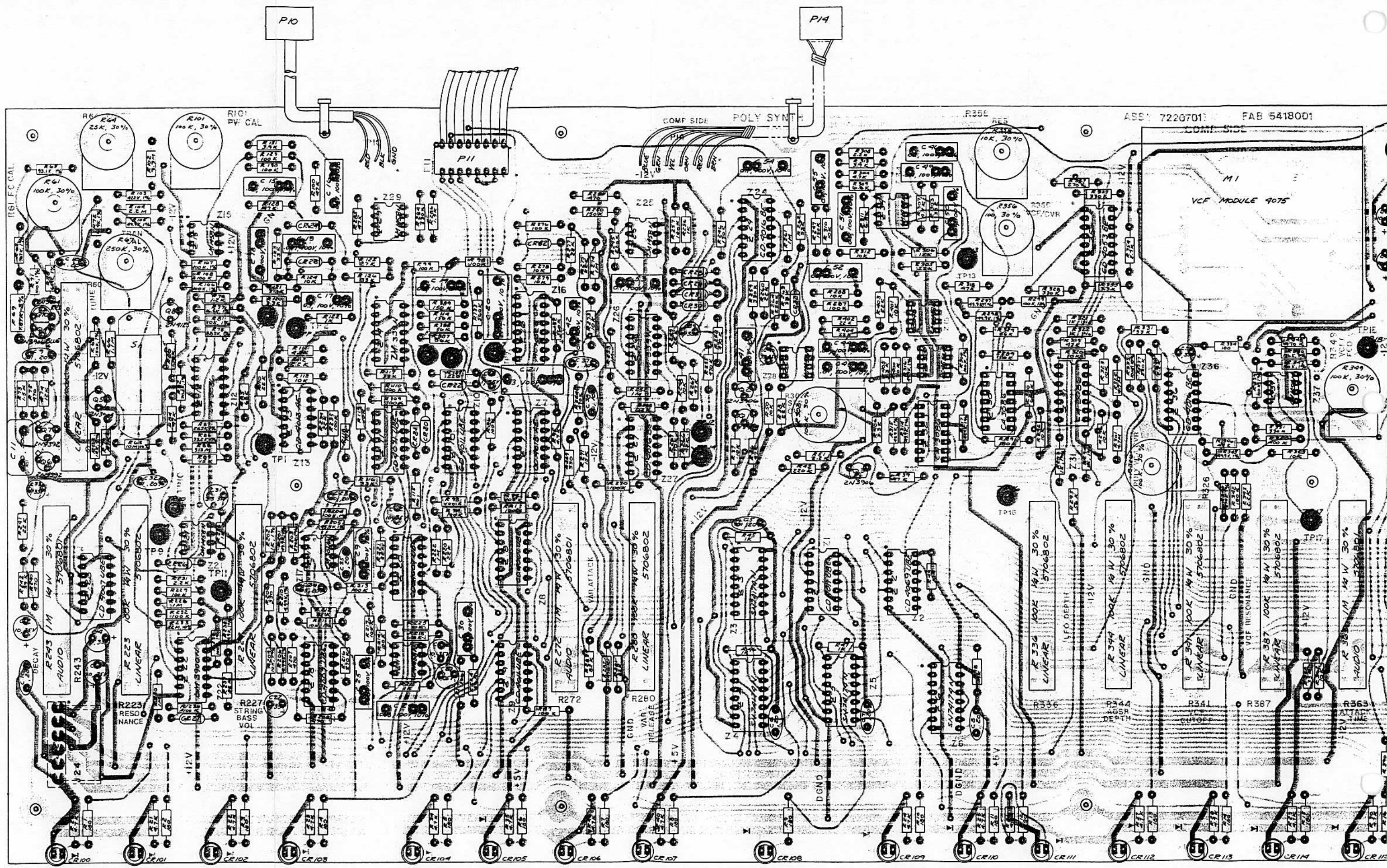


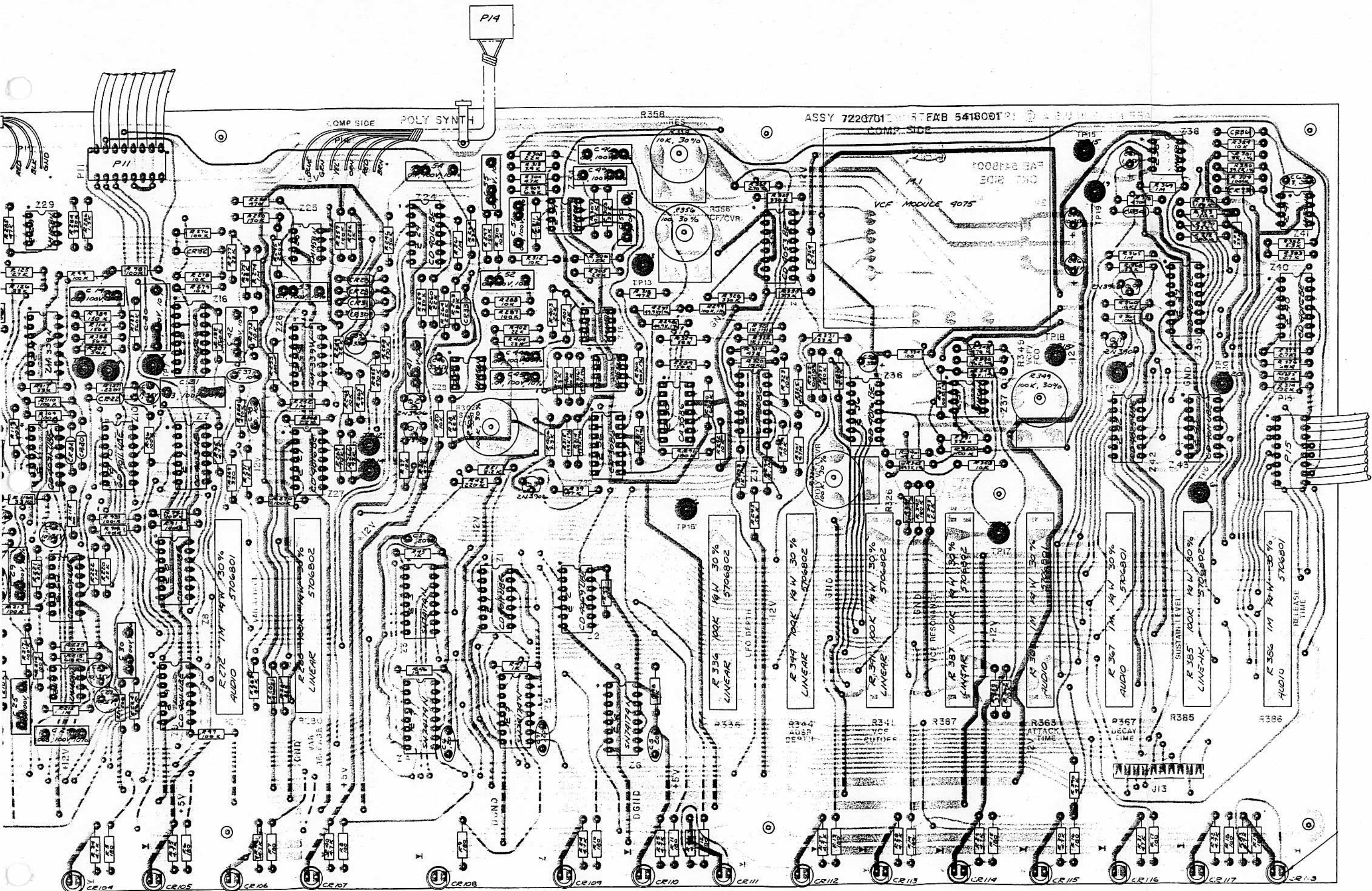
ARP INSTRUMENTS, INC.
 SCHEMATIC, LEAD/MIX BOARD
 QUADRA, Model 2460
 Sheet 3 of 4



V15-14	V22-14	V23-17
V15-15	V22-15	V23-15
V15-16	V22-16	V31-4
V22-10	V22-7	V31-9
V22-11	V23-2	V31-10
V22-12	V23-8	V31-13
V22-13	V23-7	V31-14

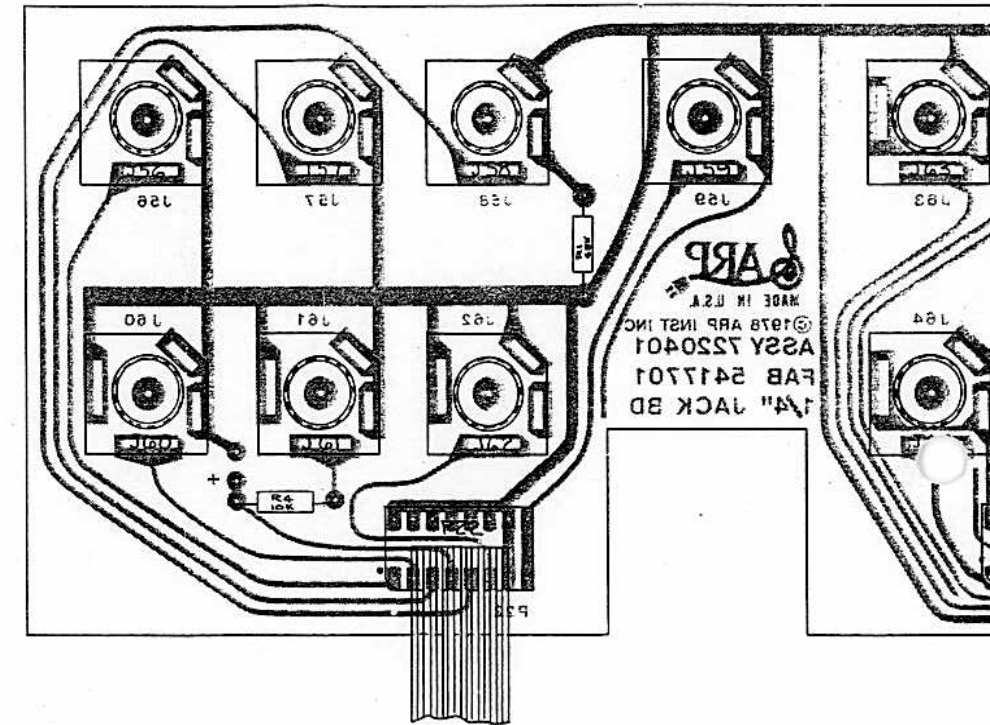
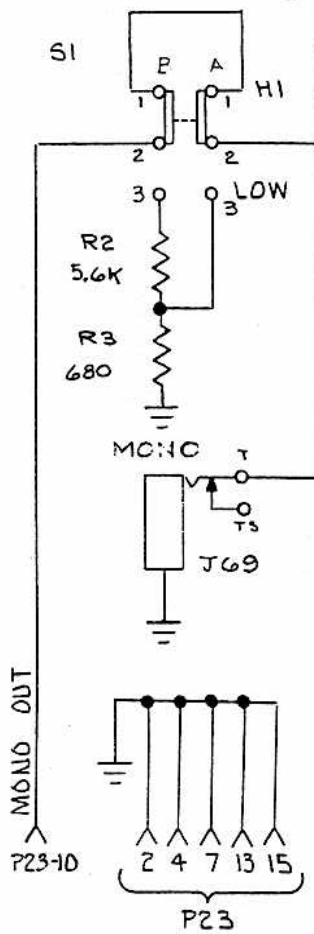
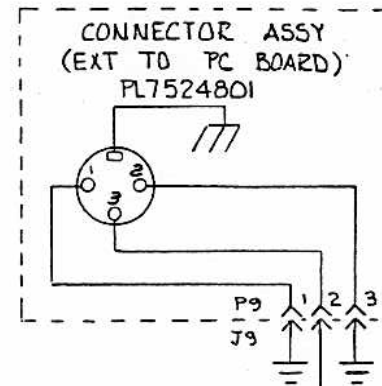
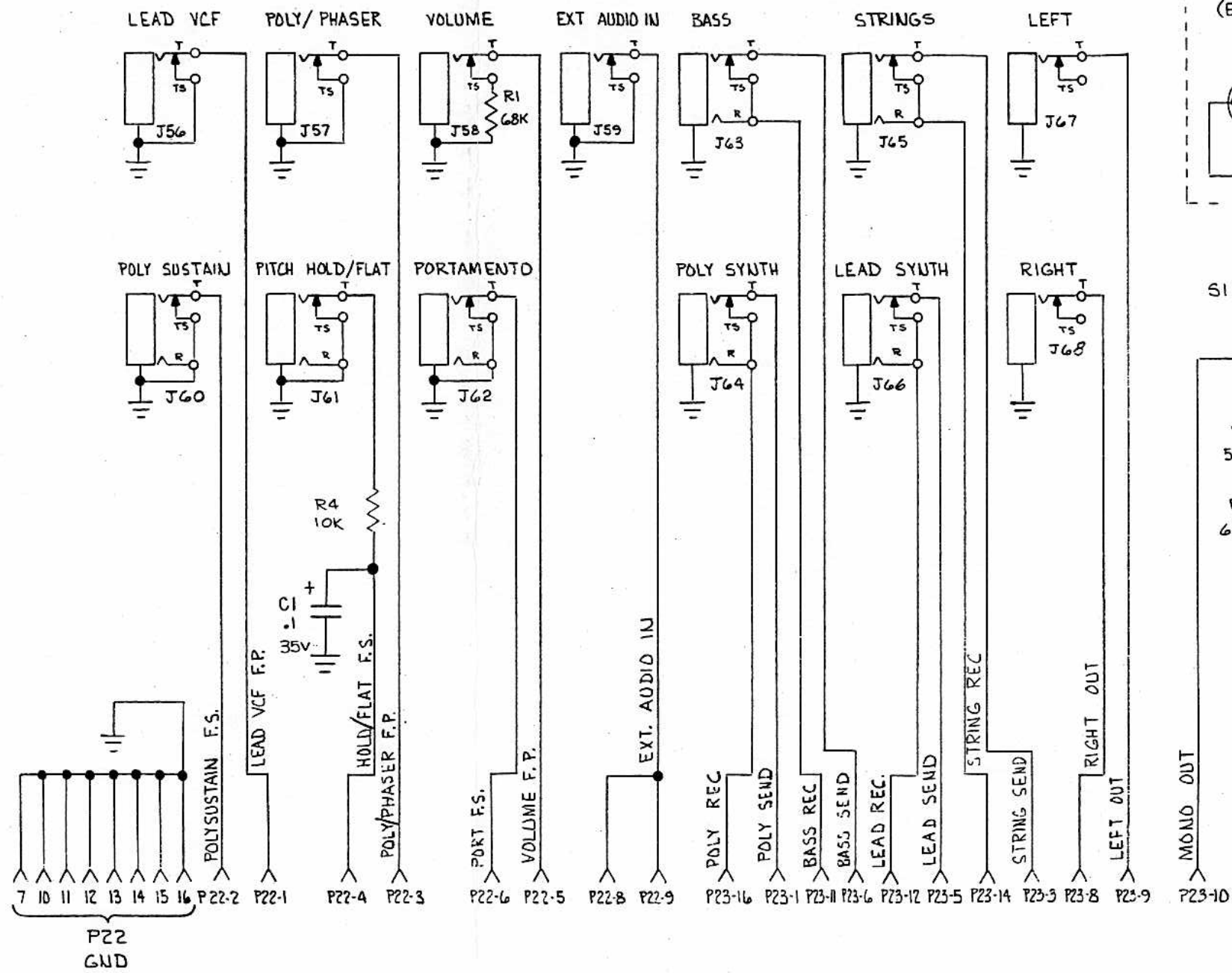
ARP INSTRUMENTS, INC.
 SCHEMATIC, LEAD/MIX BOARD
 QUADRA, Model 2460
 Sheet 4 of 4



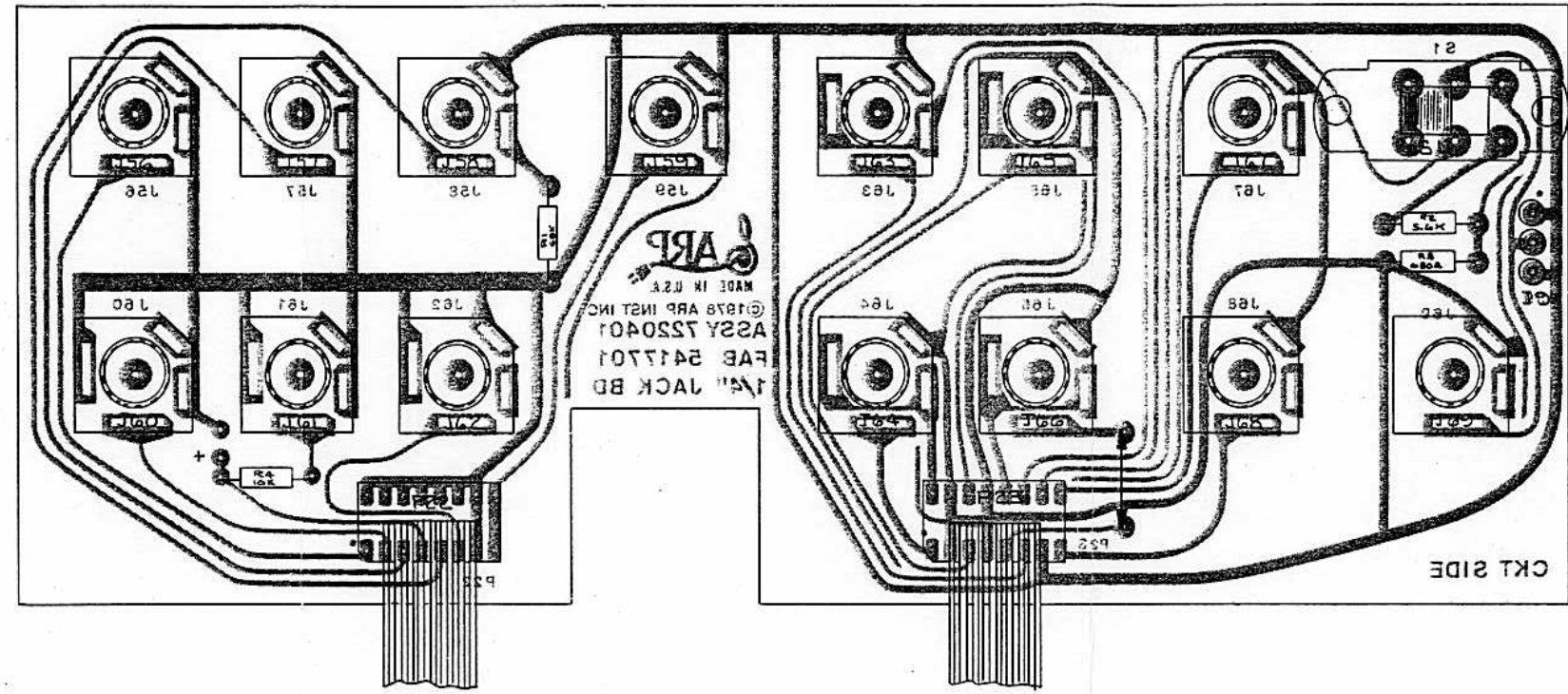
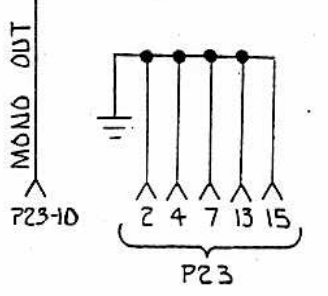
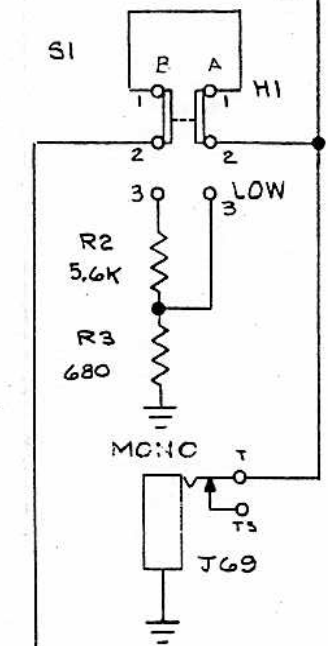
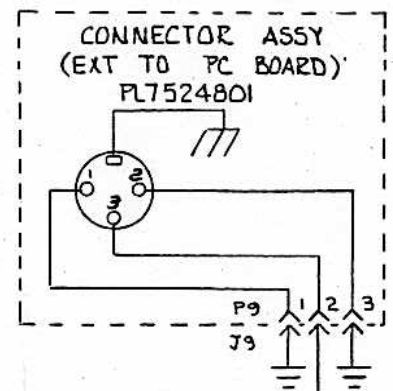
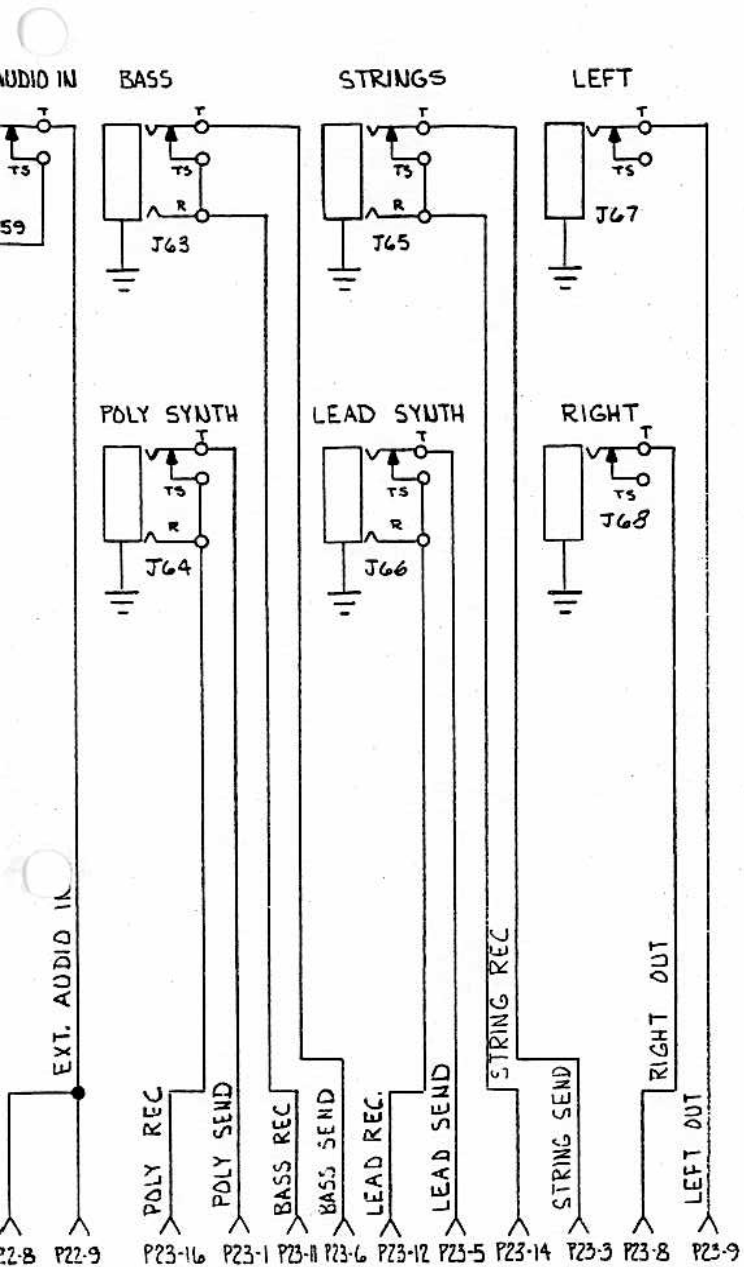


ASSY 7220701 STEAM 541809T P1

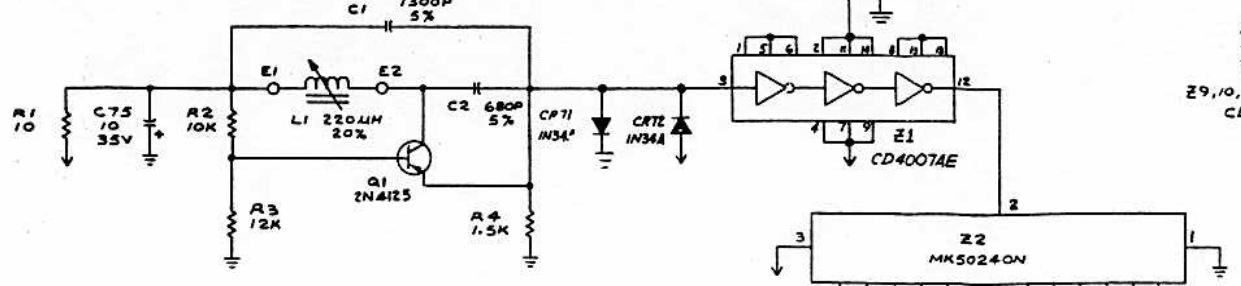
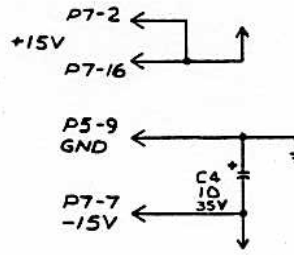
ARP INSTRUMENTS, INC.
 ASSEMBLY, POLY SYNTH BOARD
 QUADRA, Model 2460



NOTES:
1. UNLESS OTHERWISE SPECIFIED:
ALL RESISTORS ARE IN OHMS, 1/4W, 5%.



ARP INSTRUMENTS, INC.
 SCHEMATIC & ASSEMBLY, 1/4" JACK BOARD
 QUADRA, Model 2460



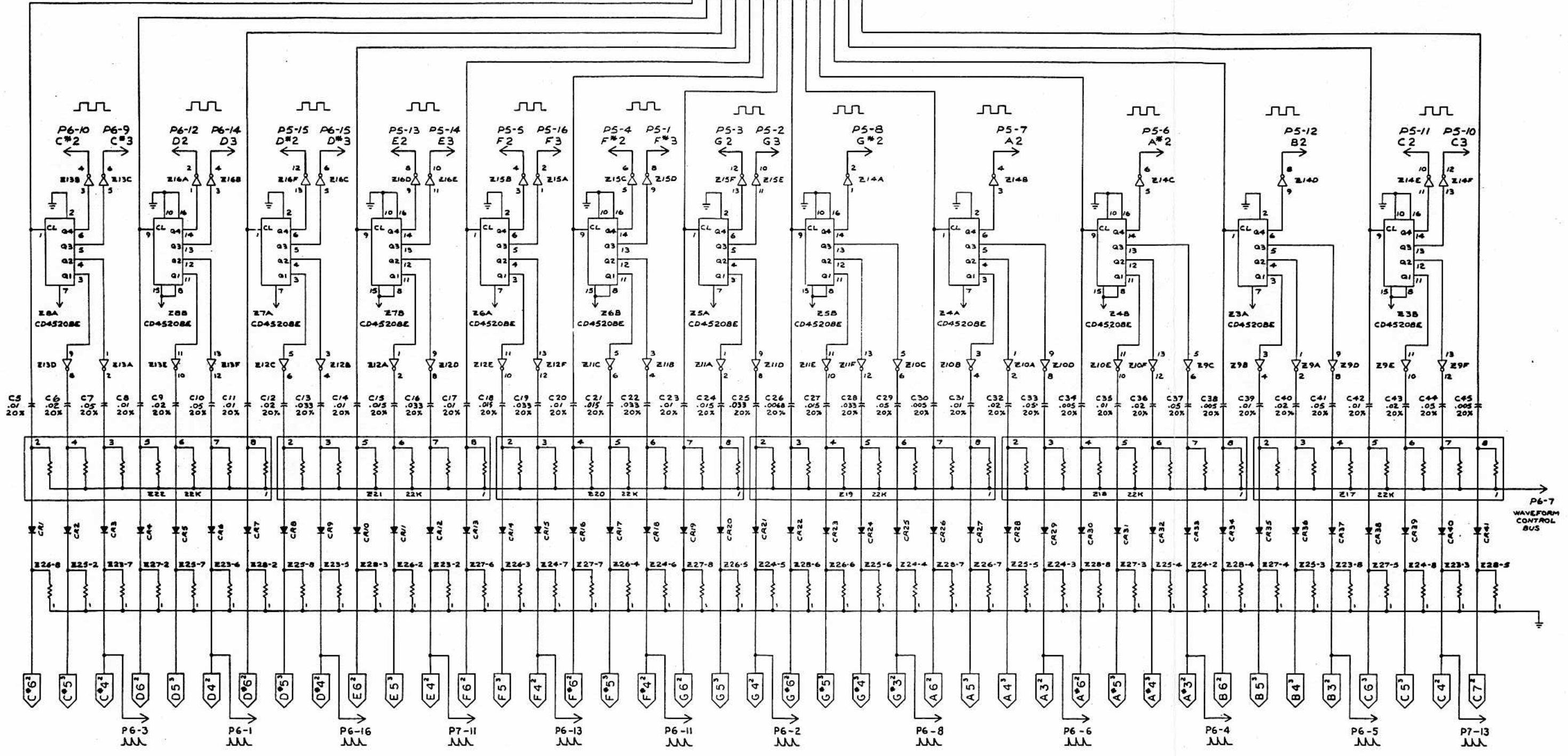
EXPLANATION OF SYMBOLS USED

$\text{KV}21$ = KEYING VOLTAGE 21 APPEARING THREE PLACES

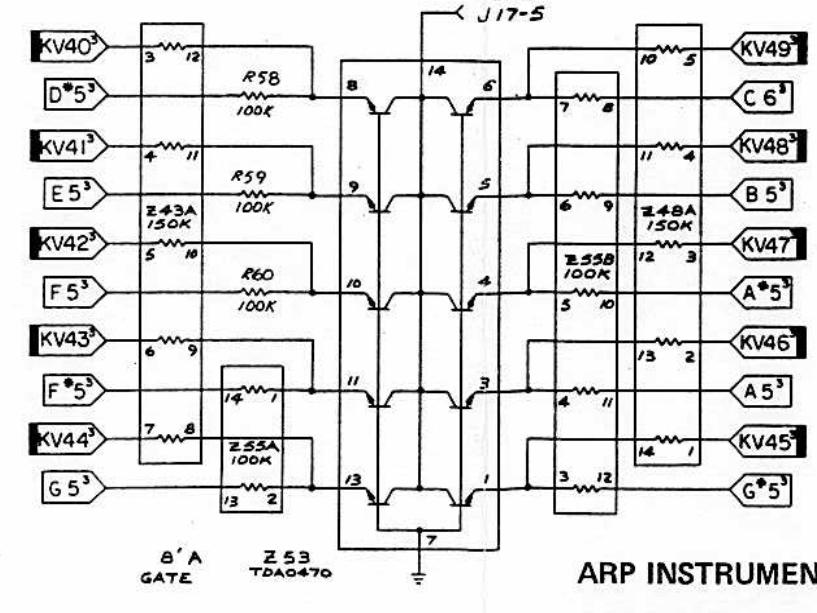
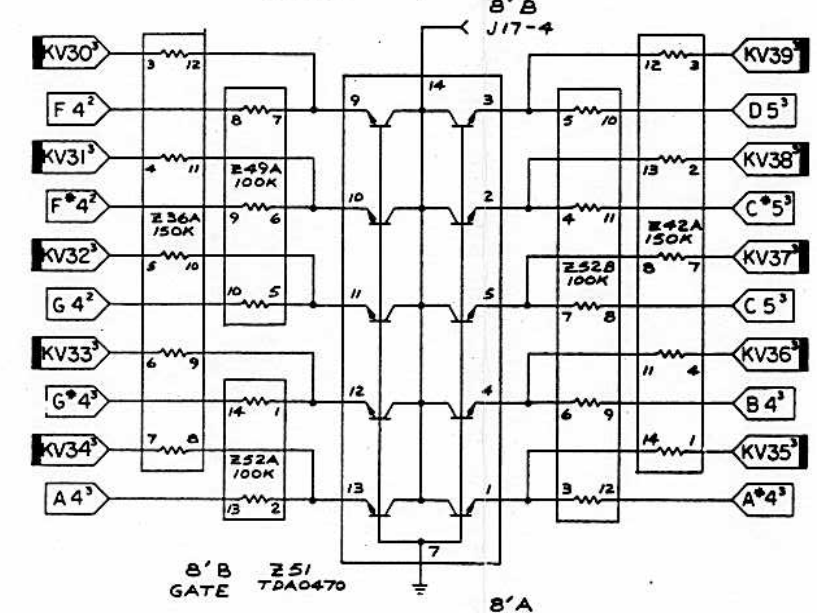
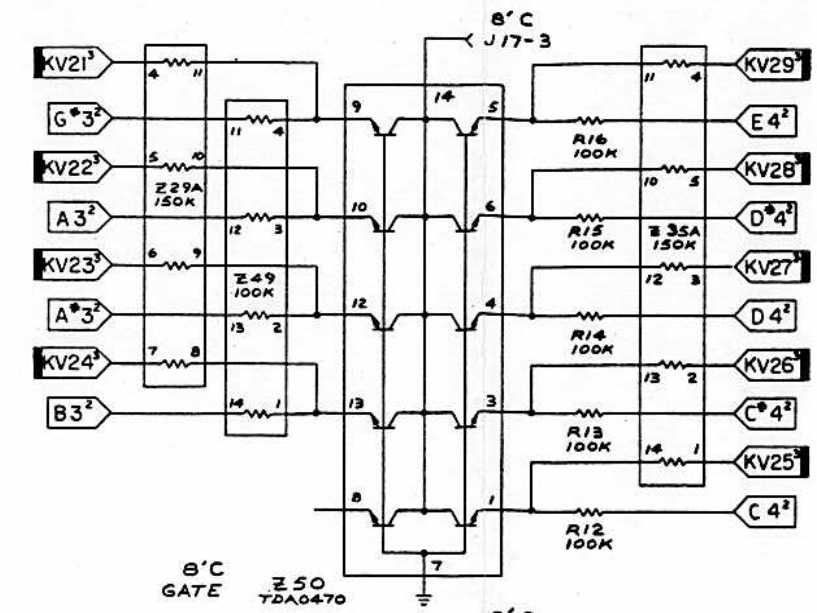
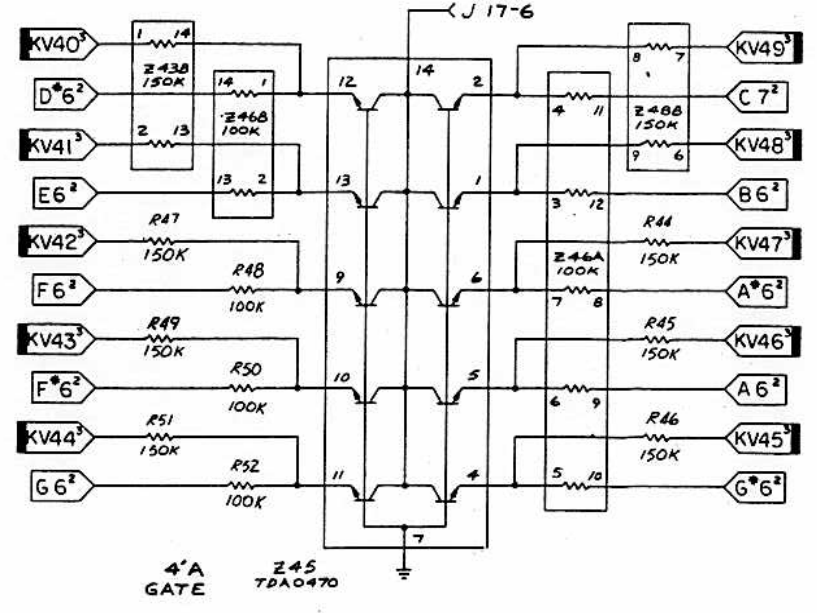
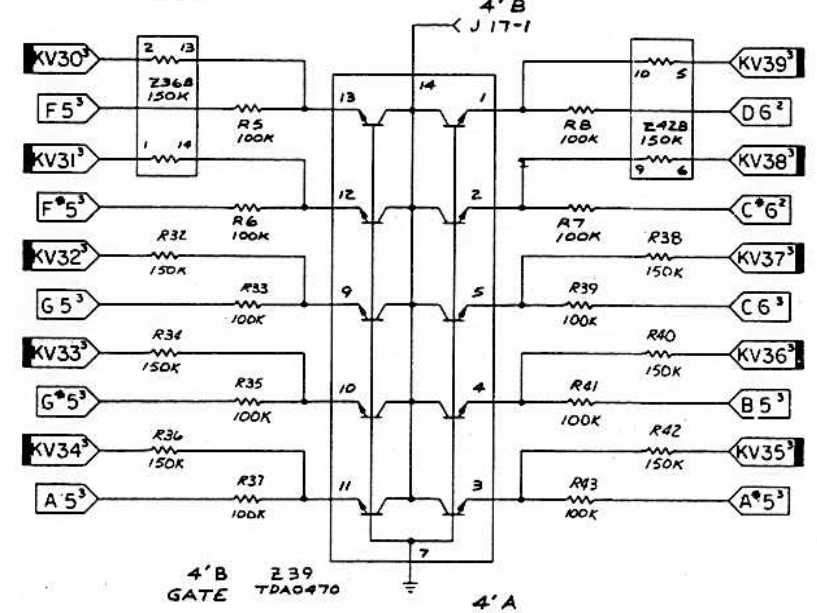
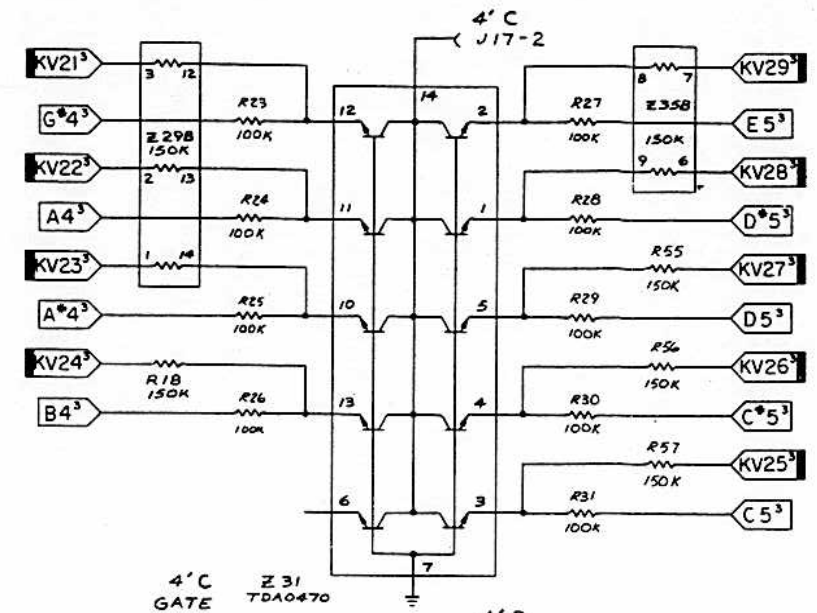
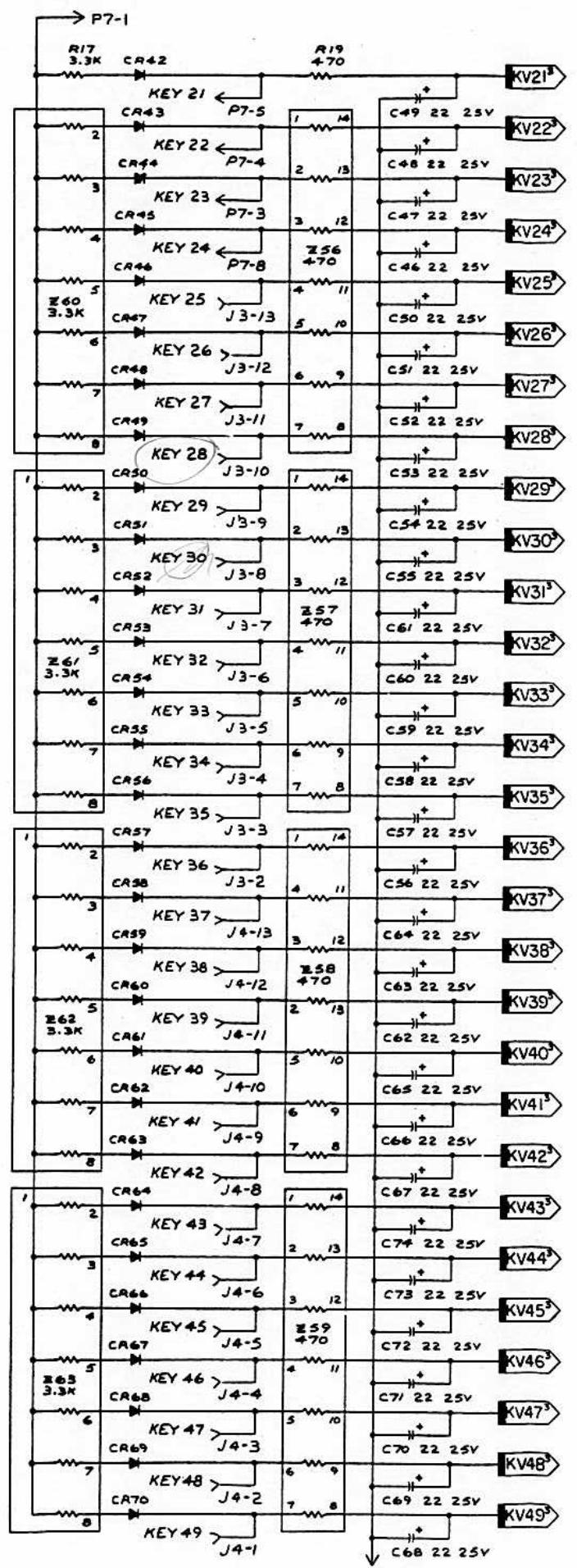
C^*6 = TONE C^*6 APPEARING TWO PLACES

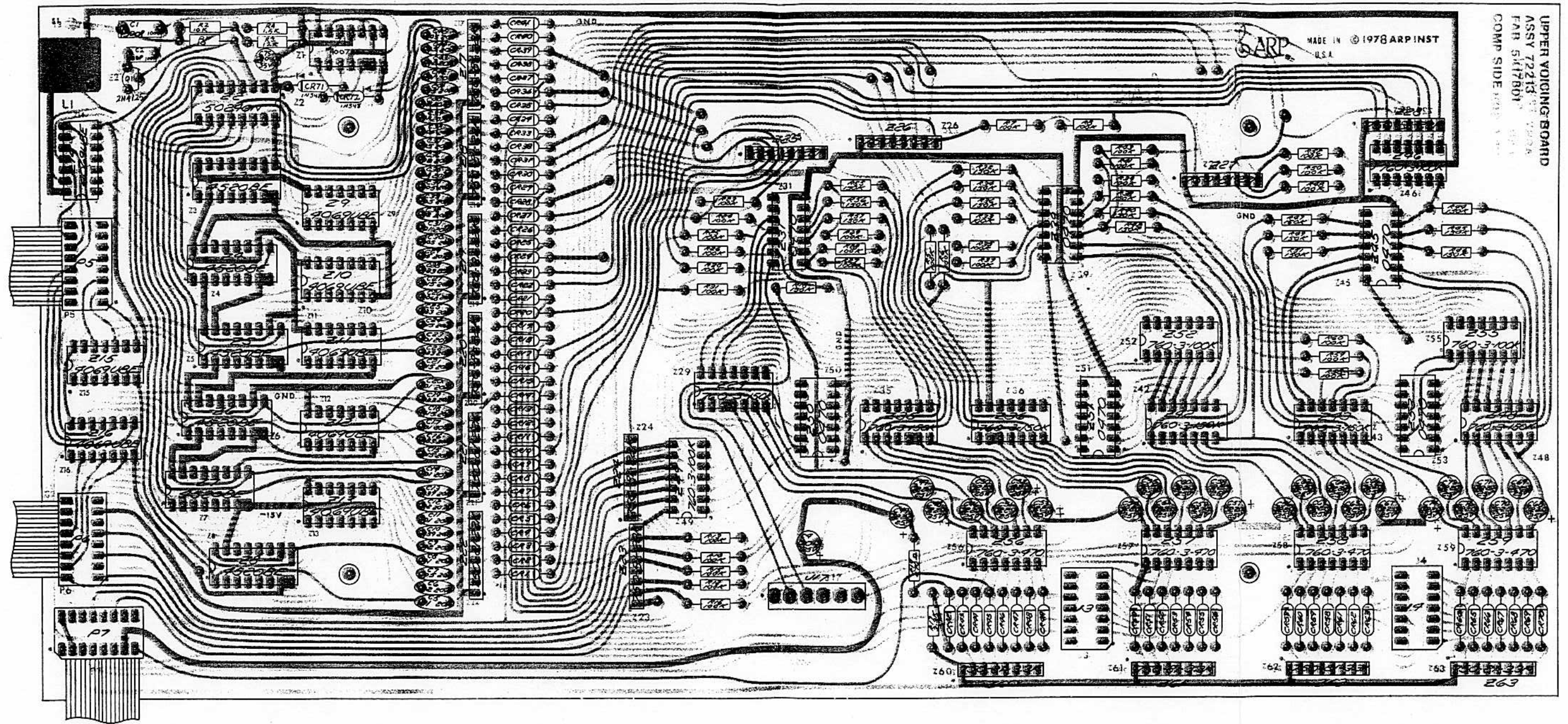
Z9, 10, 11, 12, 13, 14, 15, 16
CD4069UBE

- NOTES:
- UNLESS OTHERWISE SPECIFIED: RESISTOR VALUES ARE IN OHMS, $\text{K}\Omega$, $\text{M}\Omega$, 5% CAPACITOR VALUES ARE IN μF , pF (PICOPARADS) DIODES ARE 1N4148
 - Z9, 10, 11, 12, 13, 14, 15, 16 ARE CD4069UBE Z23, 24, 25, 26, 27, 28 ARE 22K
 - HIGHEST REF DES: C75, C72, E2, L1, P7, J17 Q1, R19, Z63
 - CONVENTIONS USED FOR SUPPLY VOLTAGE CONNECTIONS:
 \uparrow IMPLIES +15V
 \downarrow IMPLIES -15V



ARP INSTRUMENTS, INC.
 SCHEMATIC, UPPER VOICING BOARD
 QUADRA, Model 2460
 Sheet 1 of 2



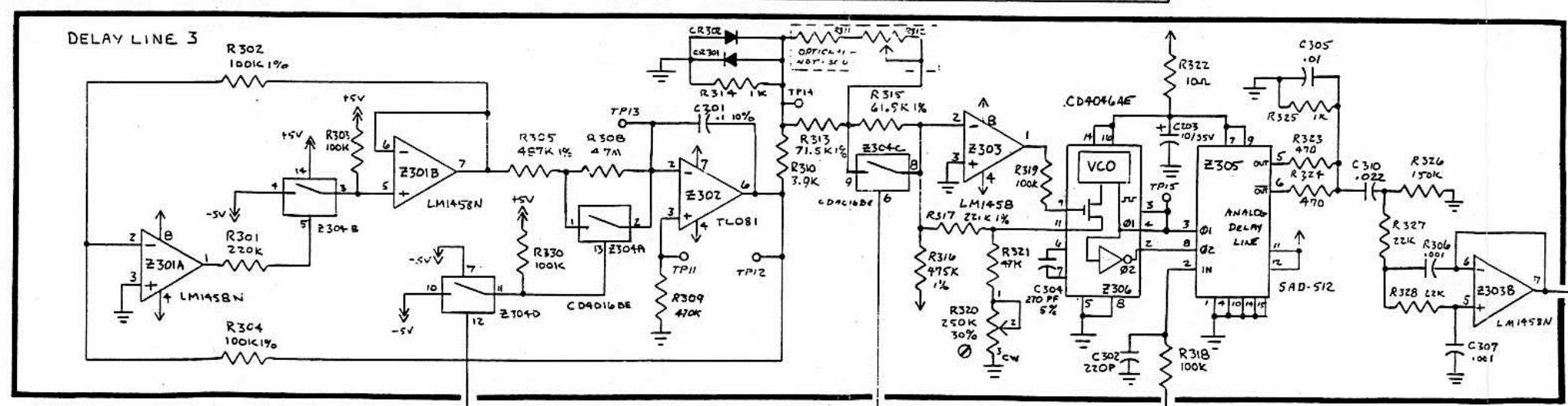
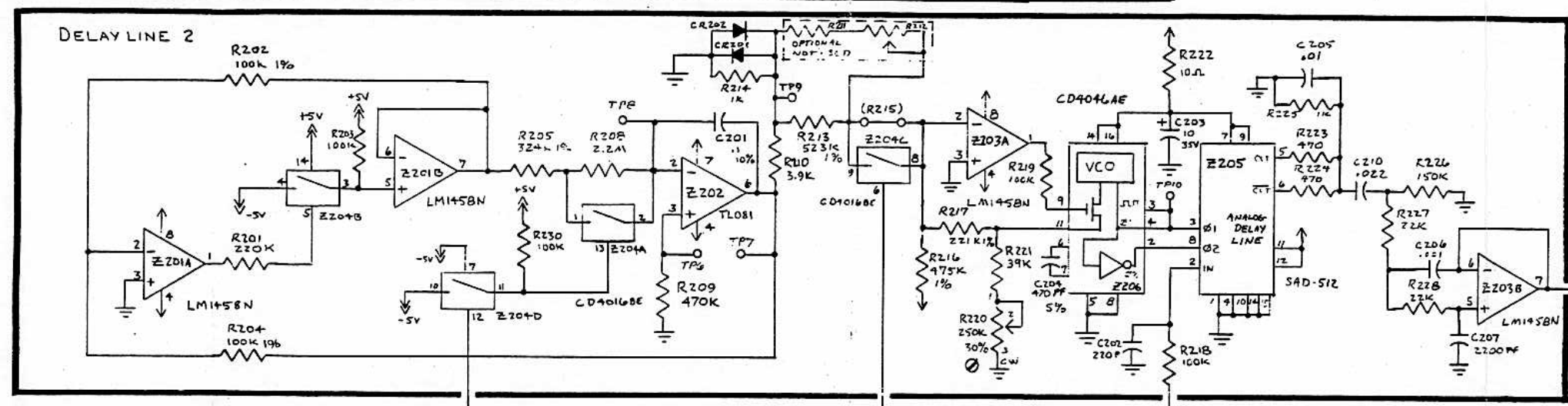
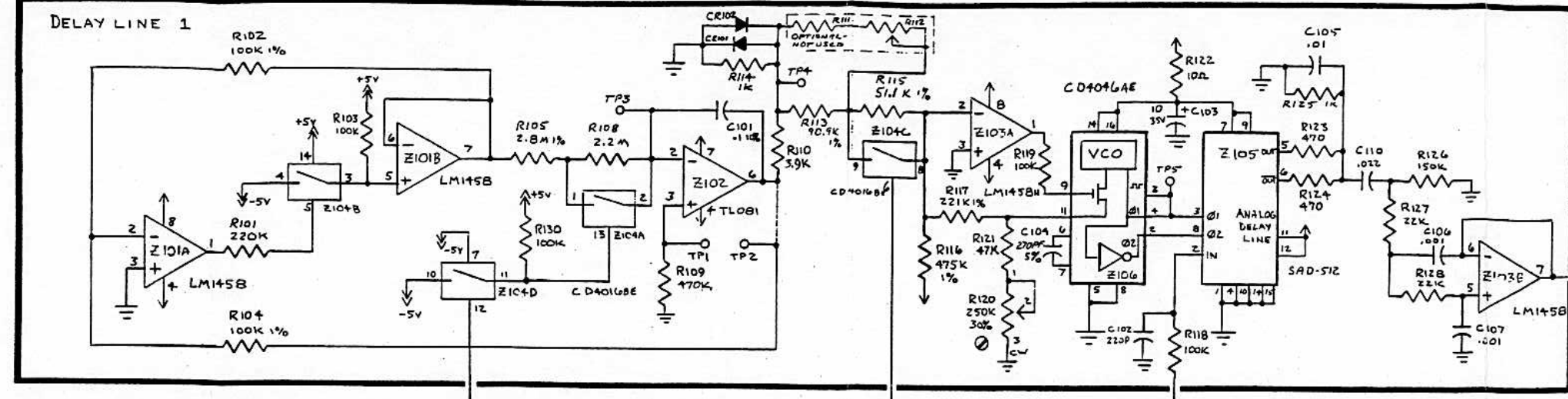
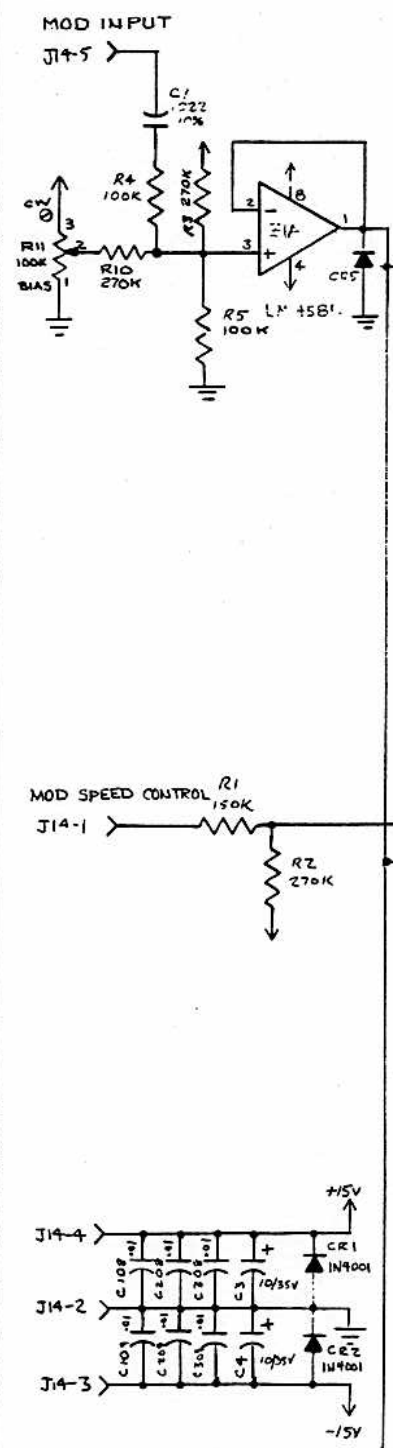


UPPER VOICING BOARD
 ASSY 72213
 FAR 5477801
 COMP SIDE

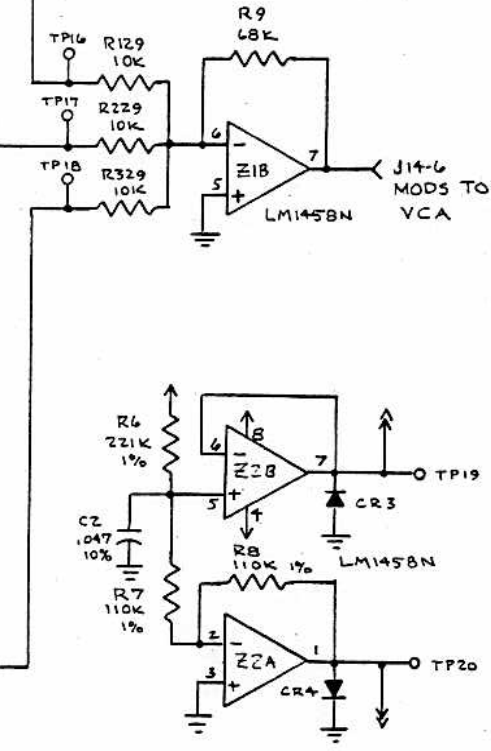
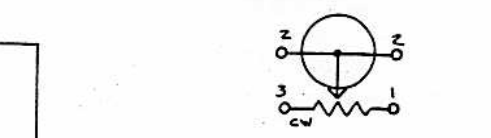
MADE IN U.S.A.
 © 1978 ARP INST

NOTES:
 1. UNLESS OTHERWISE SPECIFIED:
 RESISTOR VALUES ARE IN OHMS, 1/4W, ±5%
 CAPACITOR VALUES ARE IN μF (P=PICTOFARADS)

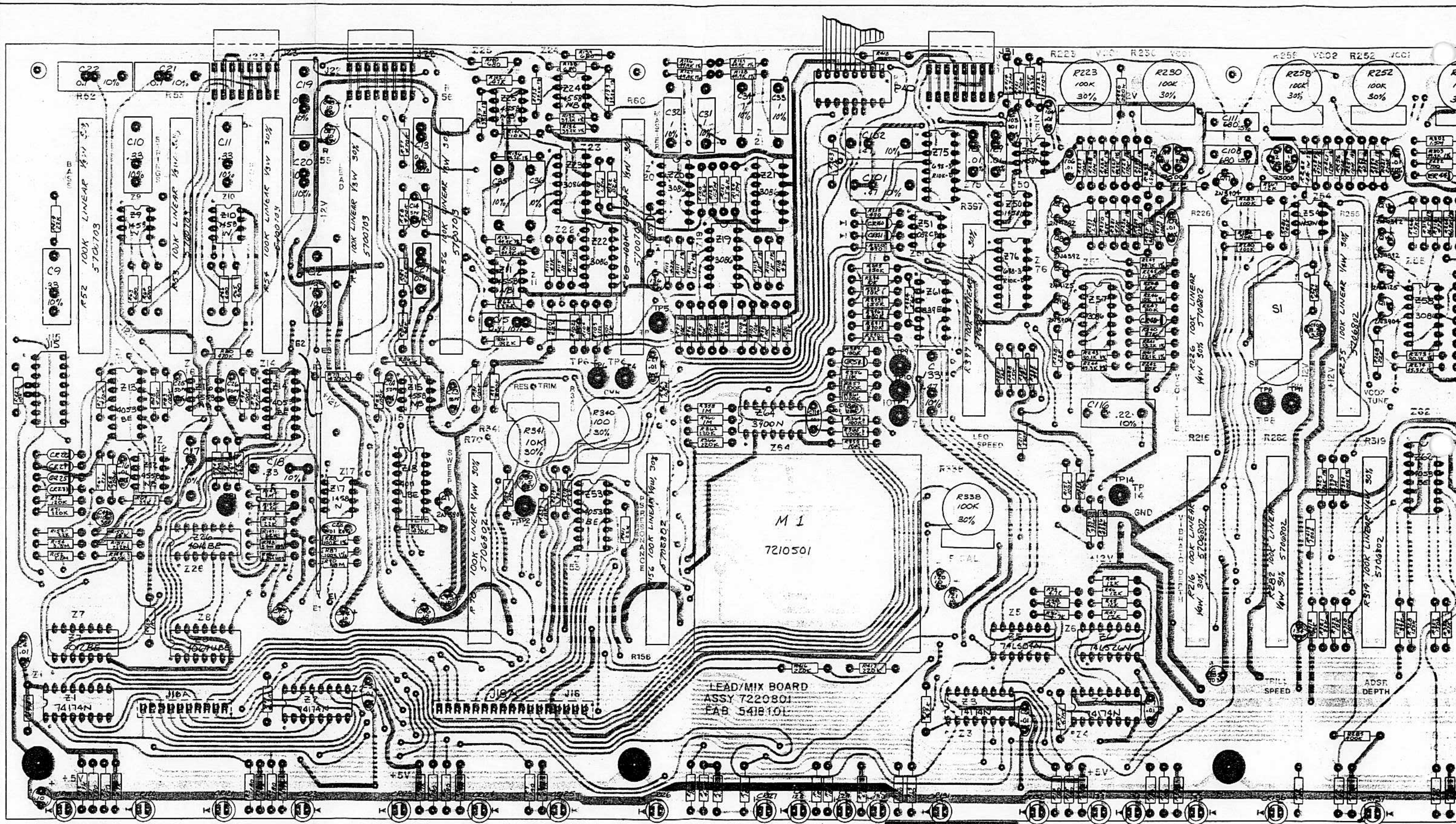
ARP INSTRUMENTS, INC.
 ASSEMBLY, UPPER VOICING BOARD
 QUADRA, Model 2460



NOTES:
 1. UNLESS OTHERWISE SPECIFIED:
 ALL RESISTOR VALUES IN OHMS, 1/4W, 5%
 ALL CAPACITOR VALUES IN μ F (P=PICO FARAD), 20%
 ALL DIODES ARE 1N4148
 2. HIGHEST REF. DES. C307, CR302, R329, Z306
 3. CONVENTION USED FOR POWER SUPPLY:



ARP INSTRUMENTS, INC.
 SCHEMATIC, PHASER BOARD
 QUADRA, Model 2460



LEAD/MIX BOARD
ASSY 7220801
EAB 5418101

M 1
7210501

100K LINEAR 1/4W 30%
5706802

100K LINEAR 1/4W 30%
5706802

100K LINEAR 1/4W 30%
5706802

100K LINEAR 1/4W 30%
5706802

100K LINEAR 1/4W 30%
5706802

C22
0.1 10%

C21
0.1 10%

C19
10%

C20
10%

C23
10%

C24
10%

C25
10%

C30
10%

C31
10%

C32
10%

C33
10%

C162
10%

C101
10%

C108
10%

C111
10%

C116
.22 10%

C118
10%

C119
10%

100K LINEAR 1/4W 30%
5706703

100K LINEAR 1/4W 30%
5706703

100K LINEAR 1/4W 30%
5706703

100K LINEAR 1/4W 30%
5706703

100K LINEAR 1/4W 30%
5706703

100K LINEAR 1/4W 30%
5706703

100K LINEAR 1/4W 30%
5706703

100K LINEAR 1/4W 30%
5706703

100K LINEAR 1/4W 30%
5706703

100K LINEAR 1/4W 30%
5706703

100K LINEAR 1/4W 30%
5706703

100K LINEAR 1/4W 30%
5706703

100K LINEAR 1/4W 30%
5706703

100K LINEAR 1/4W 30%
5706703

100K LINEAR 1/4W 30%
5706703

100K LINEAR 1/4W 30%
5706703

100K LINEAR 1/4W 30%
5706703

100K LINEAR 1/4W 30%
5706703

100K LINEAR 1/4W 30%
5706703

R52
10%

R53
10%

R54
10%

R55
10%

R56
10%

R57
10%

R58
10%

R59
10%

R60
10%

R61
10%

R62
10%

R63
10%

R64
10%

R65
10%

R66
10%

R67
10%

R68
10%

R69
10%

R70
10%

Z7
10%

Z8
10%

Z9
10%

Z10
10%

Z11
10%

Z12
10%

Z13
10%

Z14
10%

Z15
10%

Z16
10%

Z17
10%

Z18
10%

Z19
10%

Z20
10%

Z21
10%

Z22
10%

Z23
10%

Z24
10%

Z25
10%

Z1
10%

Z2
10%

Z3
10%

Z4
10%

Z5
10%

Z6
10%

Z7
10%

Z8
10%

Z9
10%

Z10
10%

Z11
10%

Z12
10%

Z13
10%

Z14
10%

Z15
10%

Z16
10%

Z17
10%

Z18
10%

Z19
10%

Z20
10%

Z21
10%

Z22
10%

Z23
10%

Z24
10%

Z25
10%

Z26
10%

Z27
10%

Z28
10%

Z29
10%

Z30
10%

Z31
10%

Z32
10%

Z33
10%

Z34
10%

Z35
10%

Z36
10%

Z37
10%

Z38
10%

Z39
10%

Z40
10%

Z41
10%

Z42
10%

Z43
10%

Z44
10%

Z45
10%

Z46
10%

Z47
10%

Z48
10%

Z49
10%

Z50
10%

Z51
10%

Z52
10%

Z53
10%

Z54
10%

Z55
10%

Z56
10%

Z57
10%

Z58
10%

Z59
10%

Z60
10%

Z61
10%

Z62
10%

Z63
10%

Z64
10%

Z65
10%

Z66
10%

Z67
10%

Z68
10%

Z69
10%

Z70
10%

Z71
10%

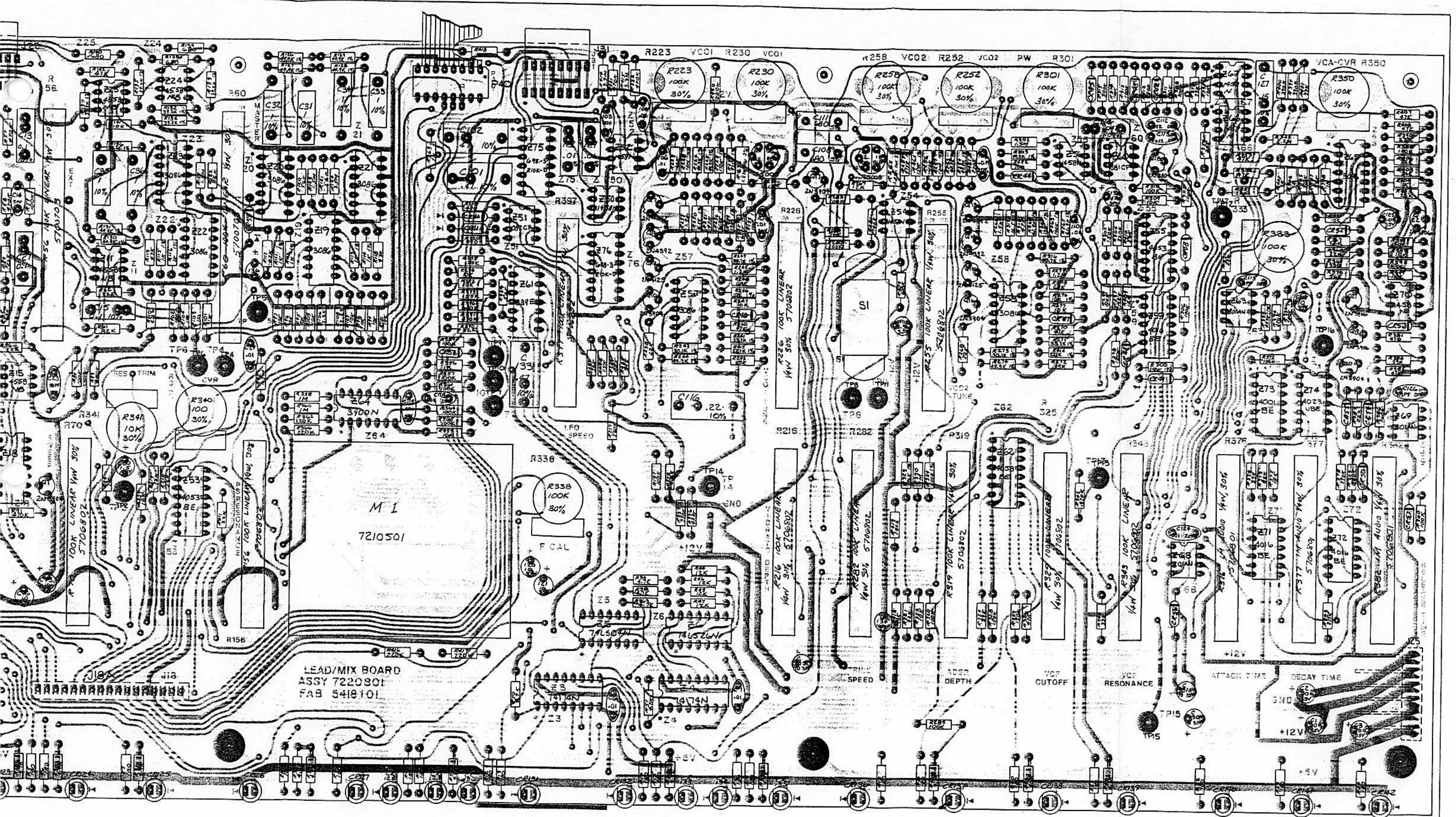
Z72
10%

Z73
10%

Z74
10%

Z75
10%

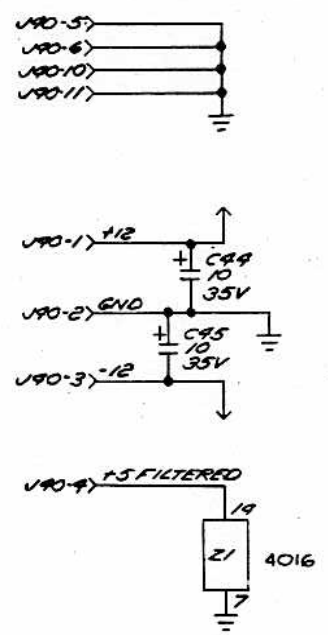
Z76
10%



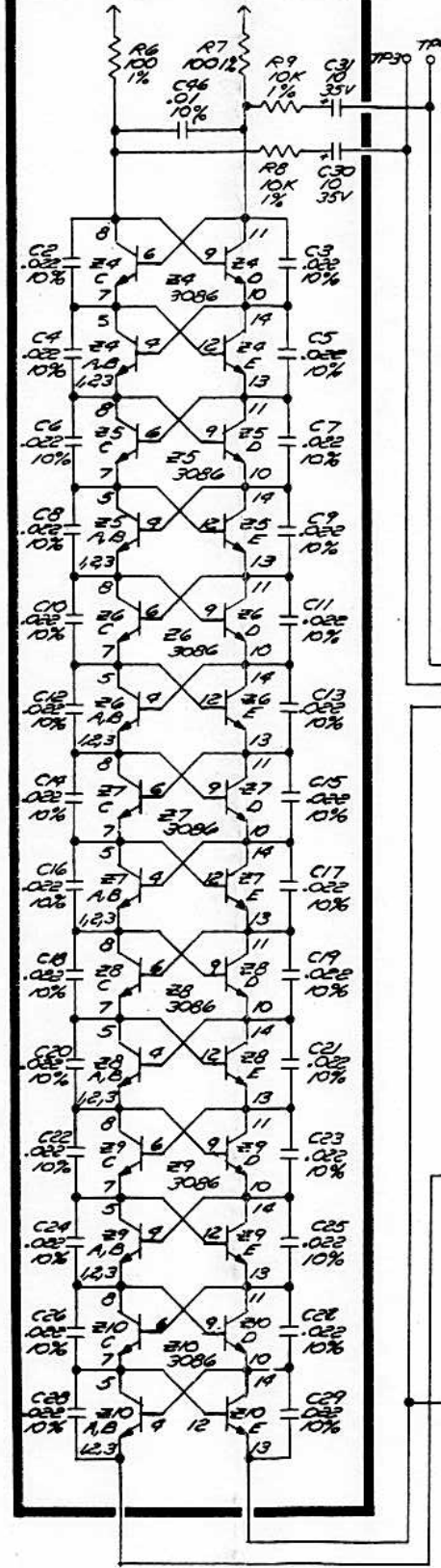
ARP INSTRUMENTS, INC.
 ASSEMBLY, LEAD/MIX BOARD
 QUADRA, Model 2460

U40-16 PH. SH. PREMIX
U40-7 PH. SH. CV

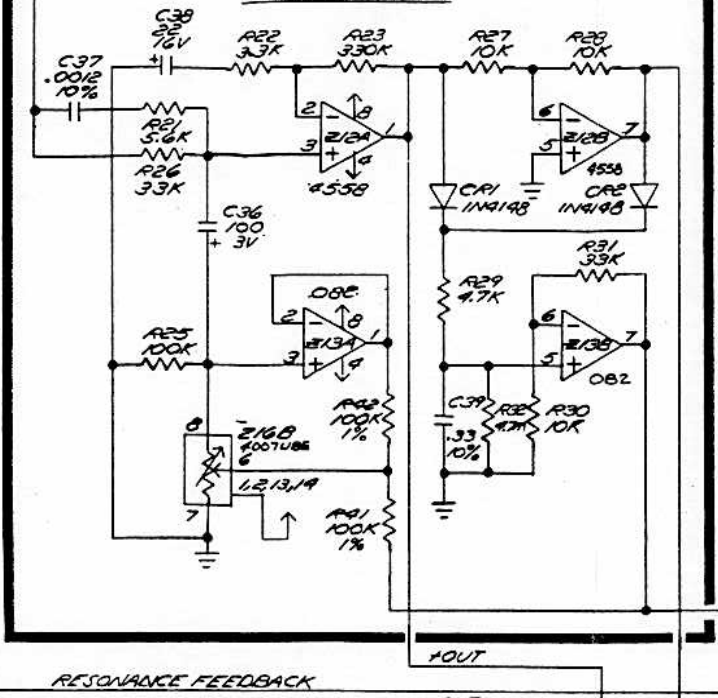
PH. SH. DIFF. OUT U40-14



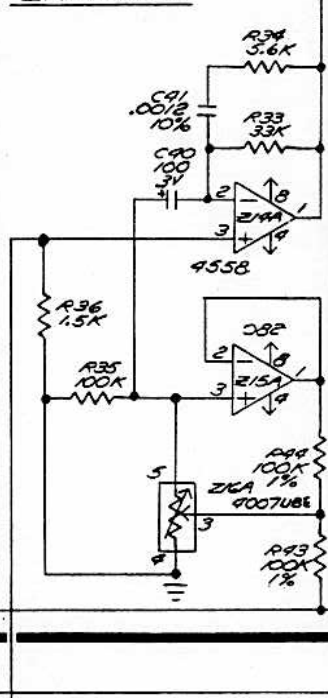
PHASE SHIFT NETWORK



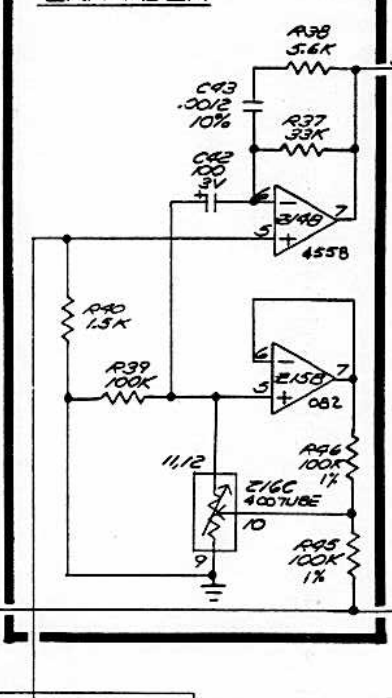
COMPRESSOR



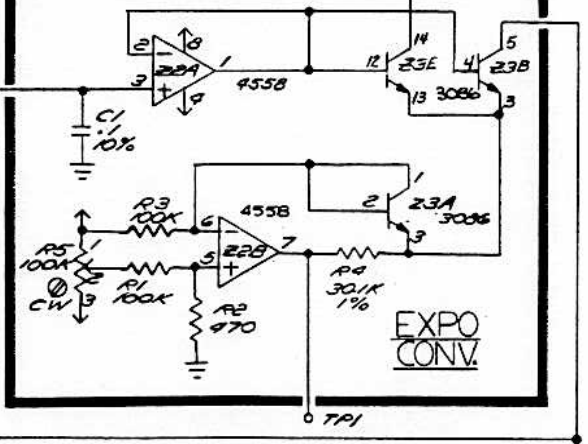
EXPANDER



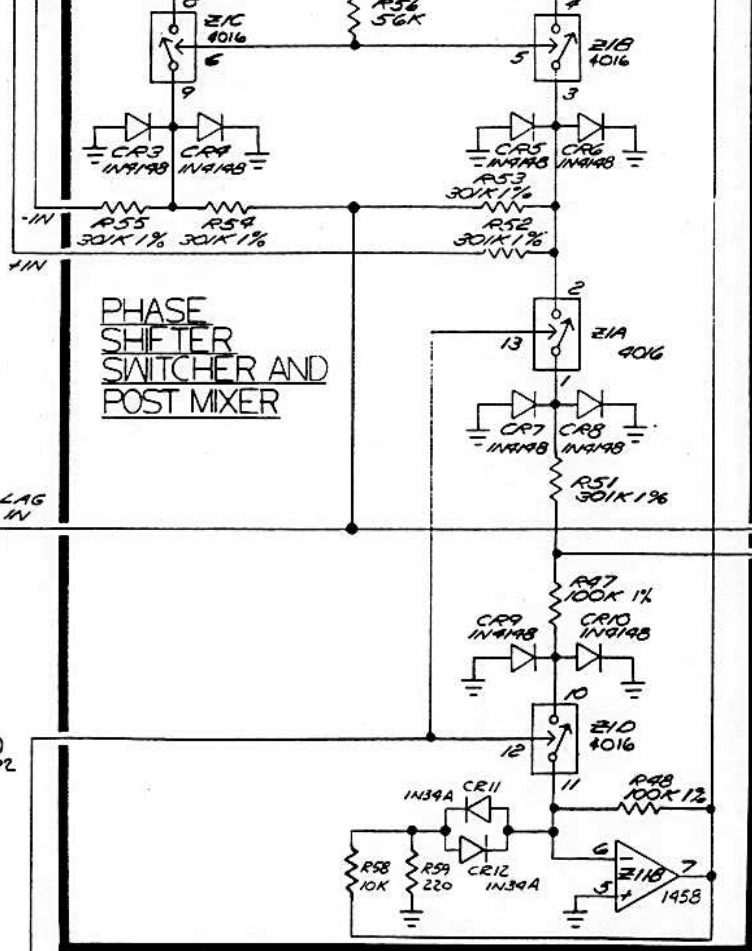
EXPANDER



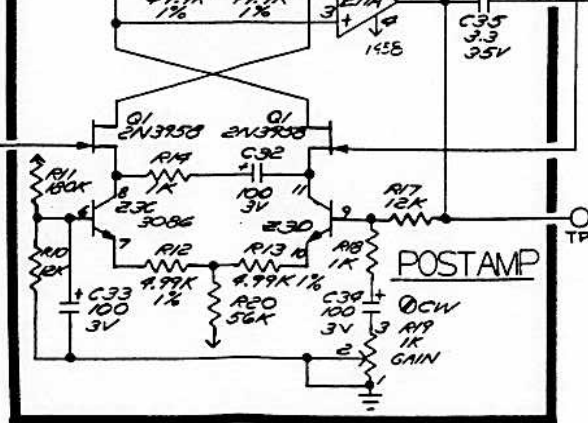
RESONANCE FEEDBACK



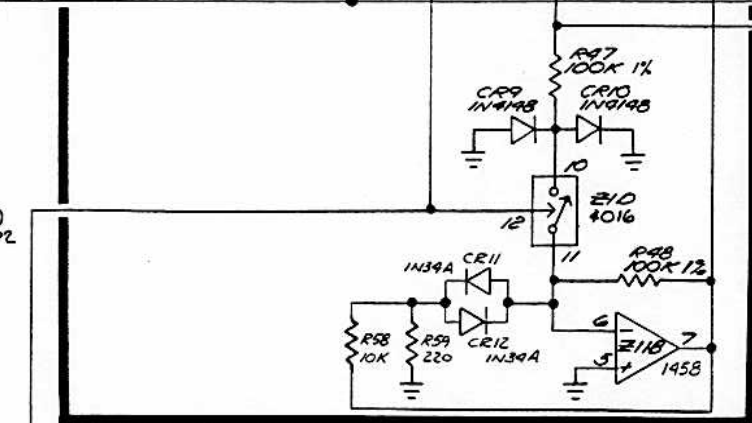
PHASE SHIFTER SWITCHER AND POST MIXER



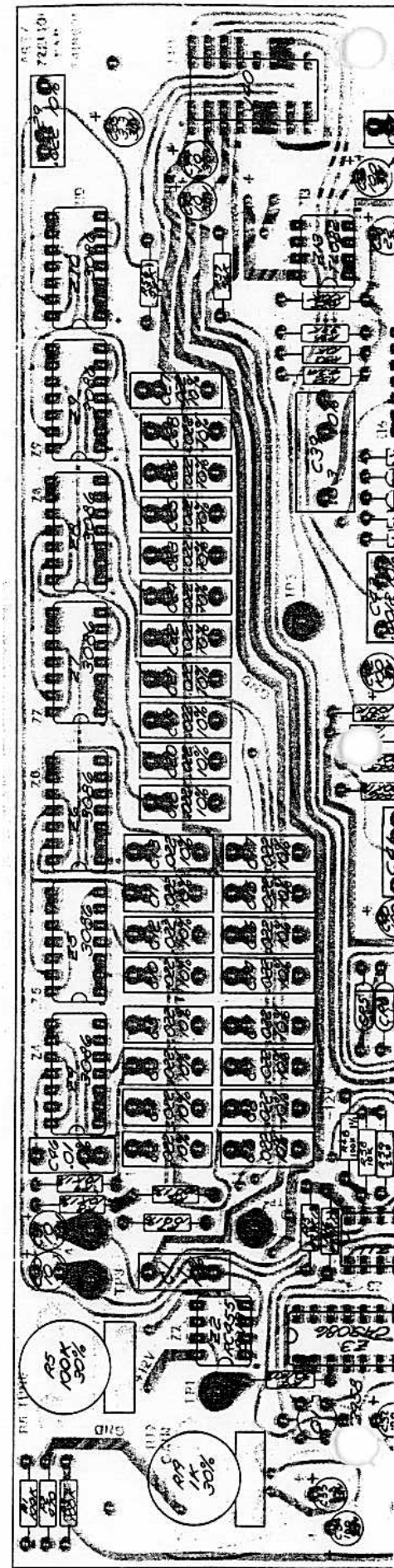
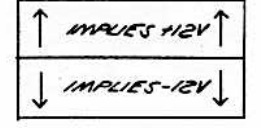
EXPO CONV.

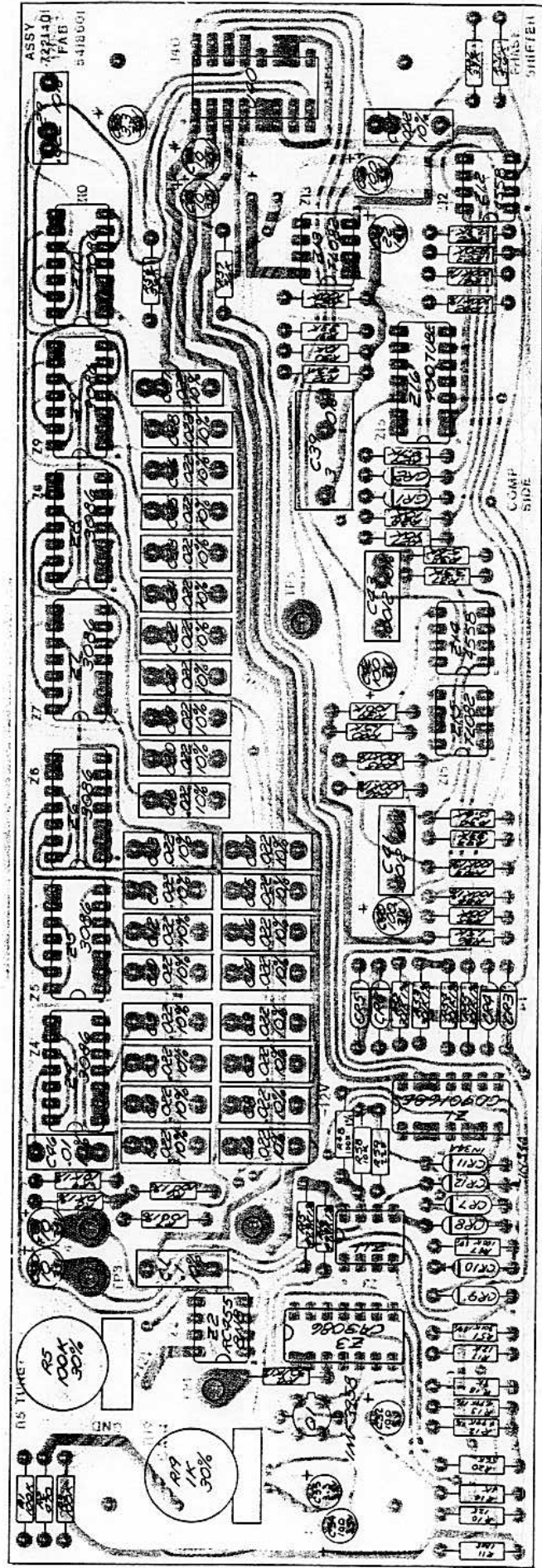
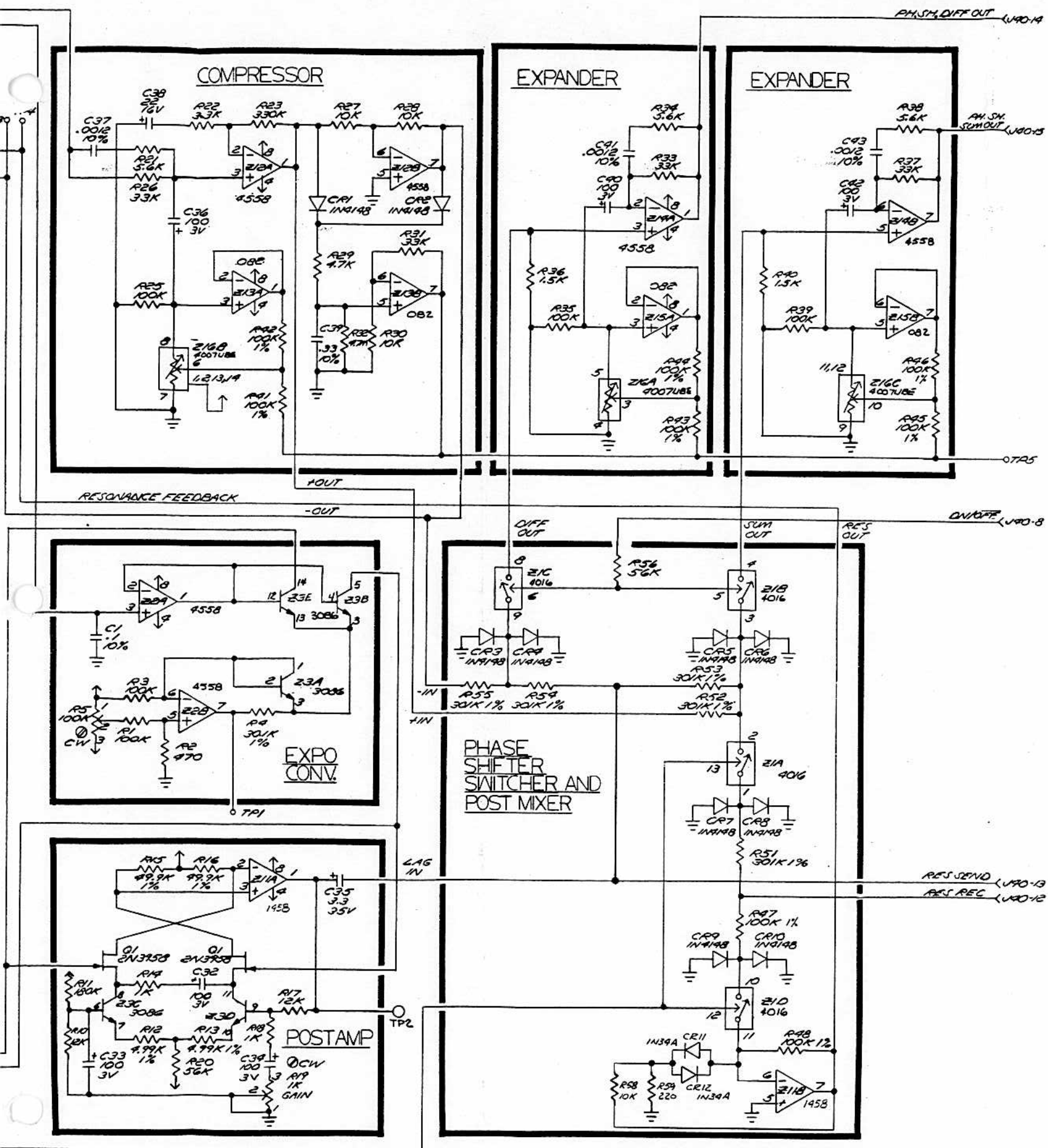


POSTAMP



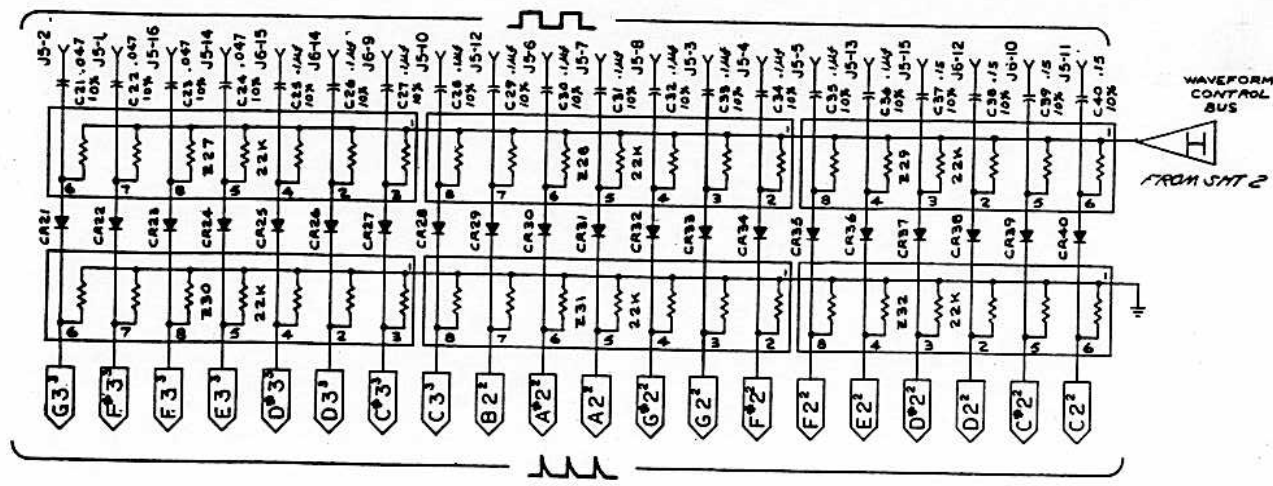
NOTES:
1) UNLESS OTHERWISE SPECIFIED:
ALL RESISTOR VALUES ARE IN OHMS, 1/4W, 5%
ALL CAPACITOR VALUES ARE IN μ F (P=PICOFARADS)
2) HIGHEST REF. DESIGNATIONS: C45, C10, Q1, R55, Z16
3) CONNECTION USED FOR SUPPLY VOLTAGE CONNECTIONS:





NOTES:
 1. UNLESS OTHERWISE SPECIFIED:
 RESISTOR VALUES ARE IN OHMS, 1/4 W, 5%
 CAPACITOR VALUES ARE IN μ f.
 DIODES ARE IN 4148.

ARP INSTRUMENTS, INC.
 SCHEMATIC & ASSEMBLY,
 PHASE SHIFTER BOARD
 QUADRA, Model 2460



MNEMONIC LEGEND	
SYM	DESCRIPTION
Z	4' D
Y	4' E
X	8' D
W	8' E
H	WAVEFORM CONTROLS
S	BASS GATE
R	SUSTAIN BUS

EXPLANATION OF SYMBOLS USED

KVI³ = KEYING VOLTAGE ONE, SYMBOL APPEARING THREE PLACES

G³ = TONE G3, APPEARING THREE PLACES

J5-2² = CONNECTION J5-2, APPEARING TWO PLACES

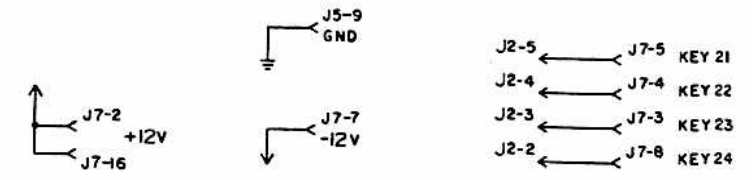
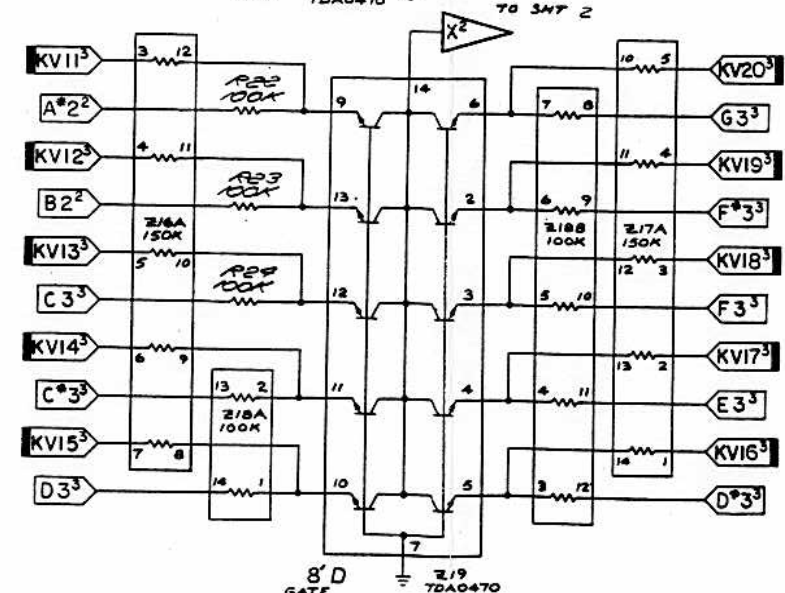
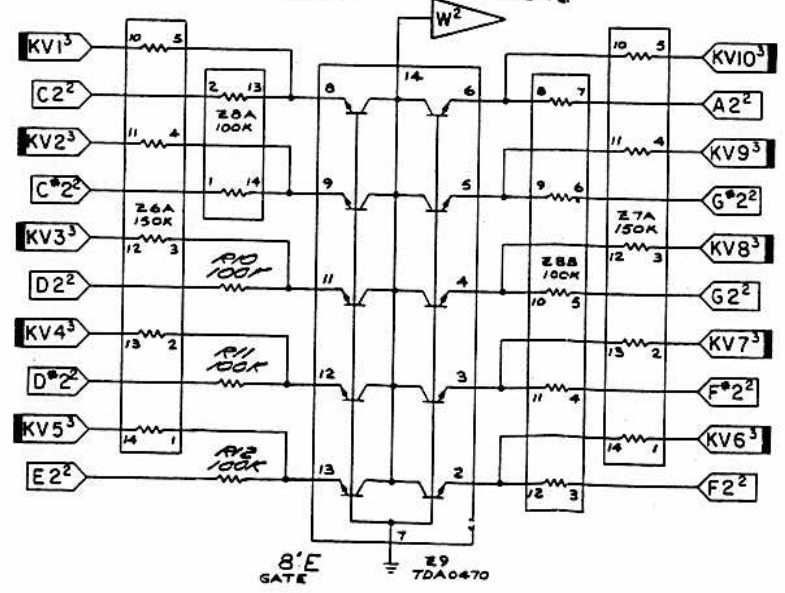
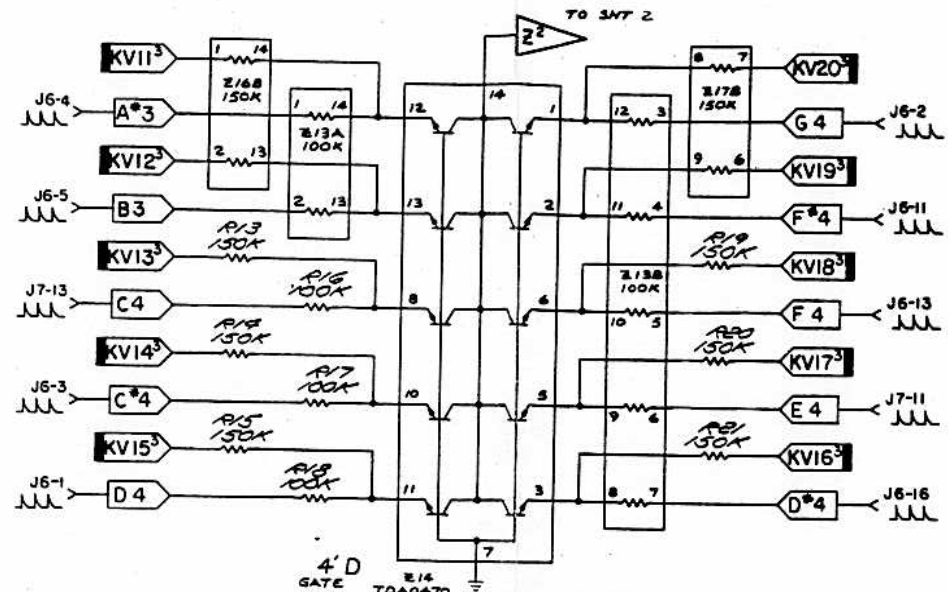
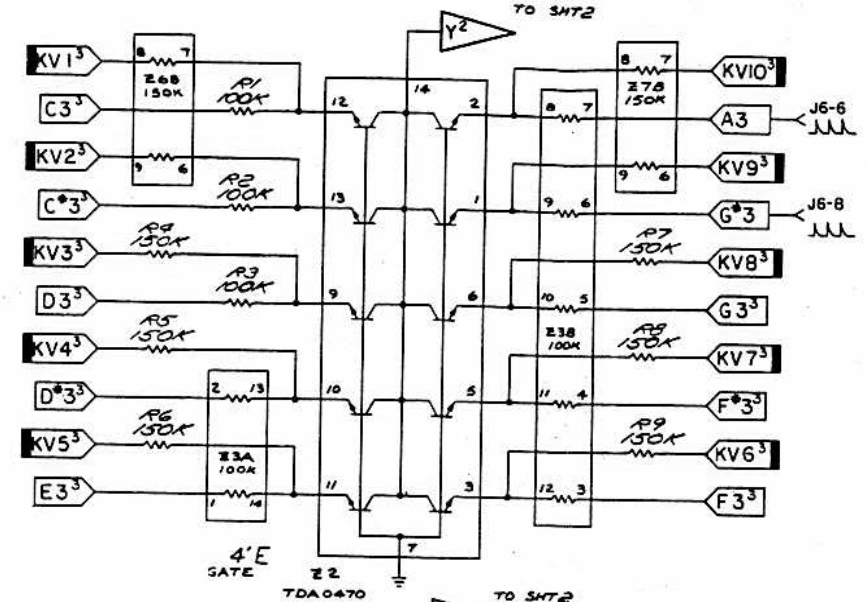
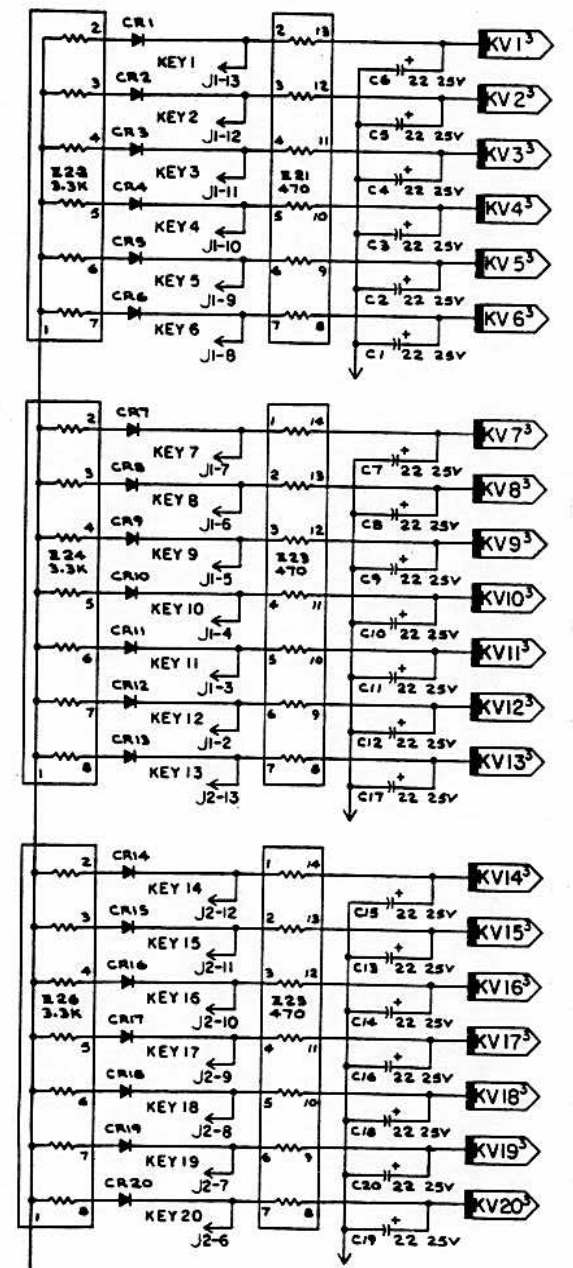
J1-13² = CONNECTION J1-13, APPEARING TWO PLACES

Z² = MNEMONIC SYMBOL INDICATING 4' D APPEARING TWO PLACES

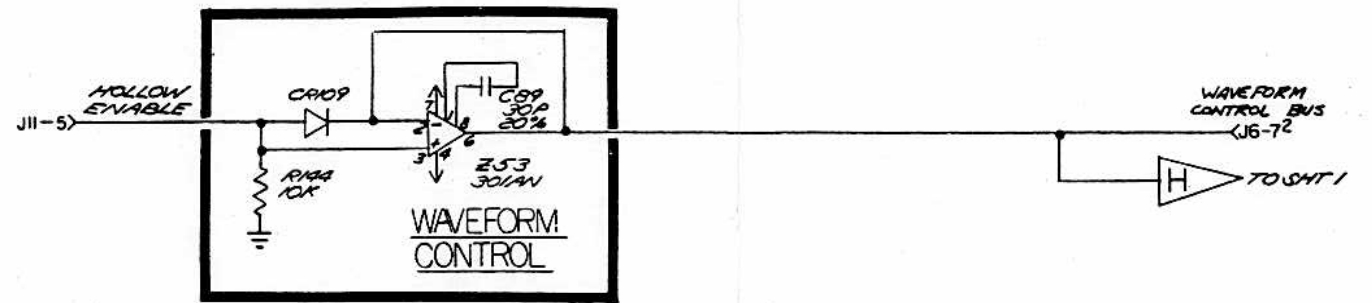
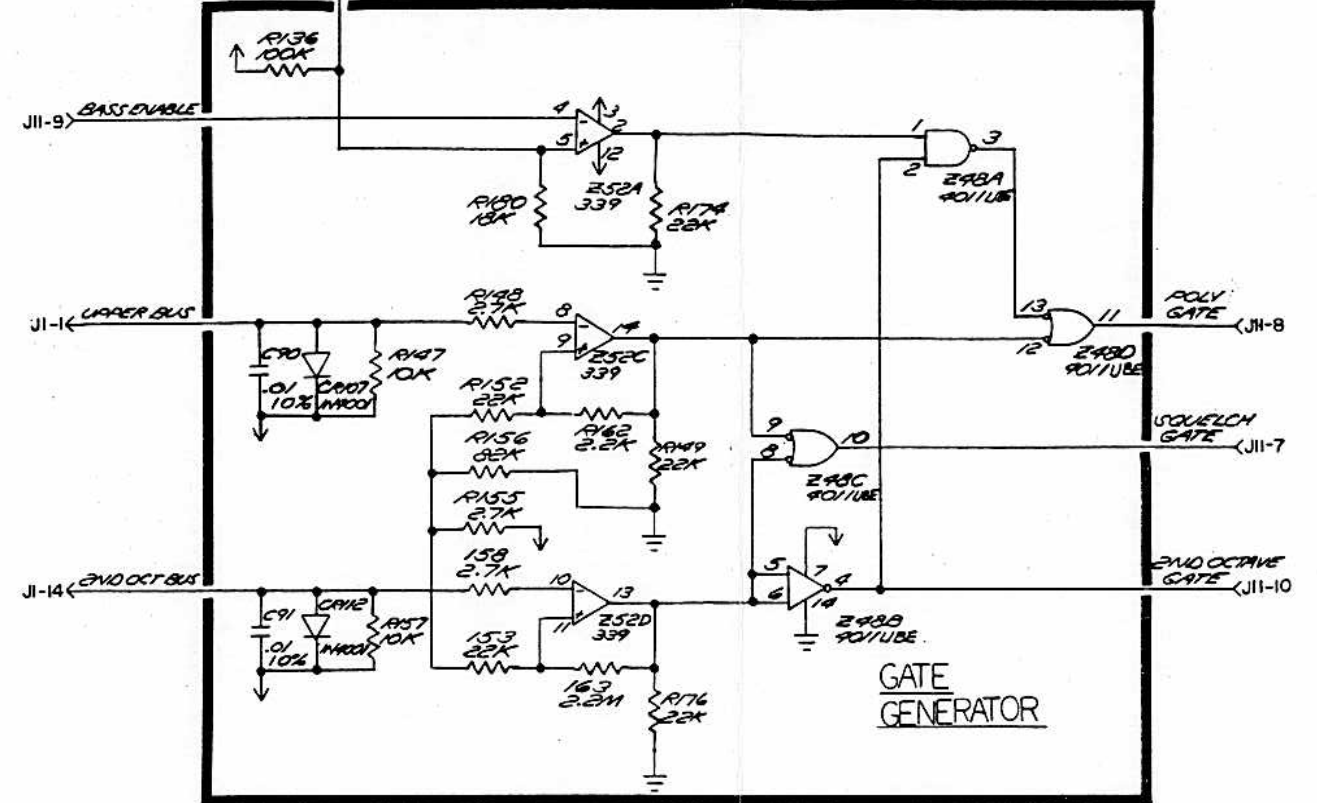
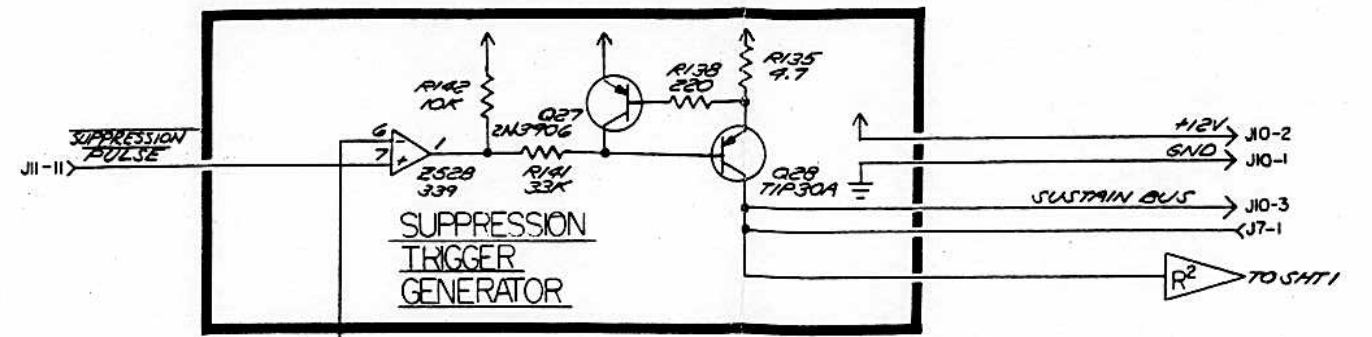
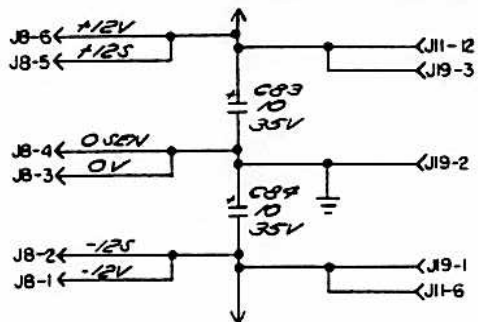
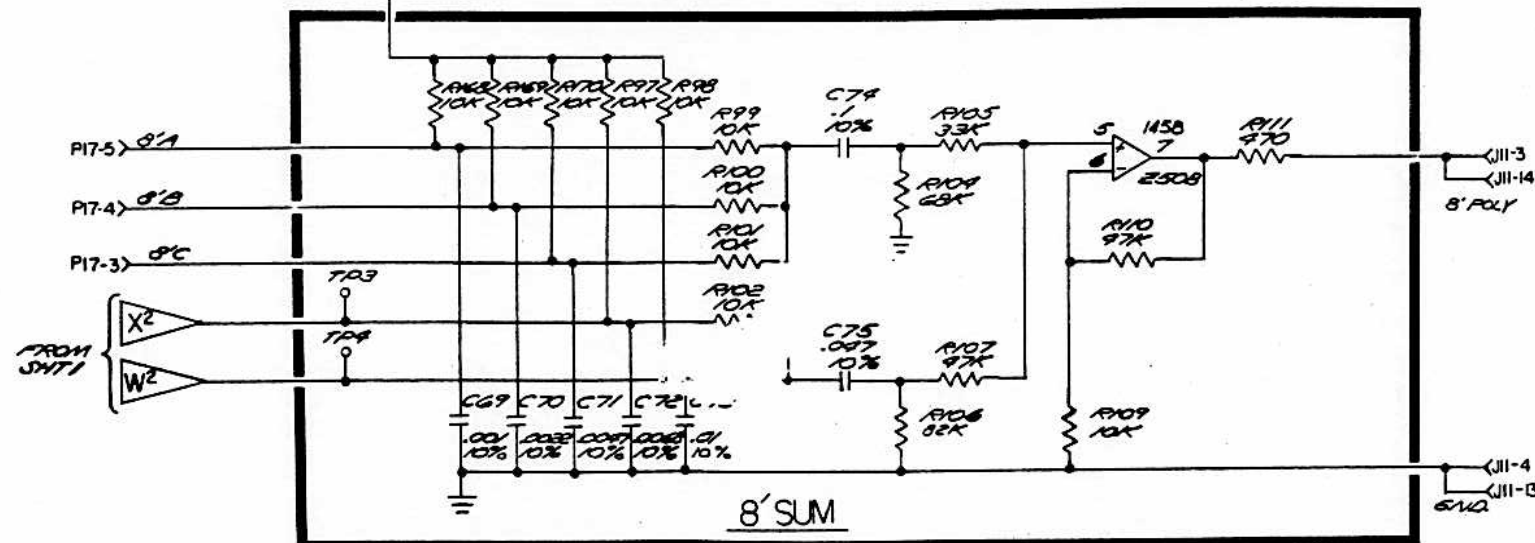
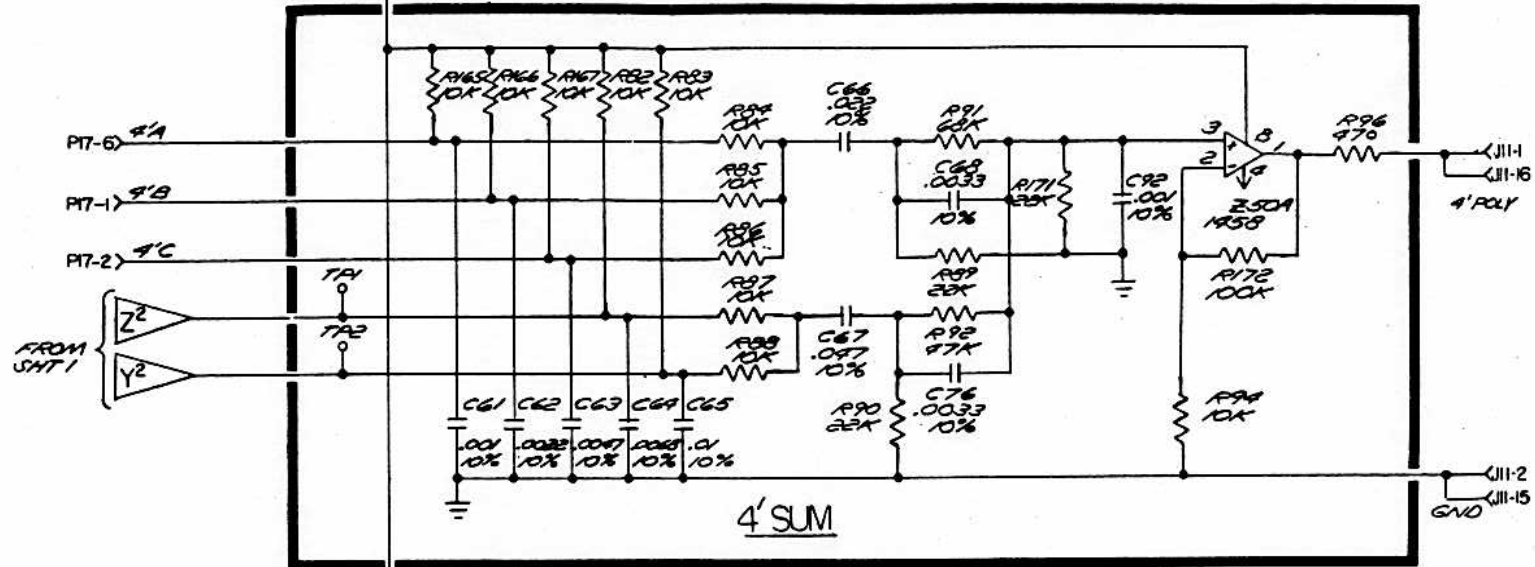
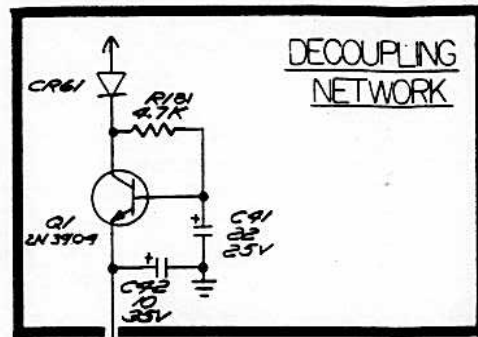
NOTES:

- UNLESS OTHERWISE SPECIFIED, RESISTOR VALUES ARE IN OHMS CAPACITOR VALUES ARE IN μF (P=PROFARADS) DIODES ARE IN 4148
- HIGHEST REF DES: C92, CR12, J17, A7, Q23, R18, Z53
- CONVENTIONS USED FOR SUPPLY VOLTAGE CONNECTIONS:

↑ IMPLIES +12V ↑
↓ IMPLIES -12V ↓

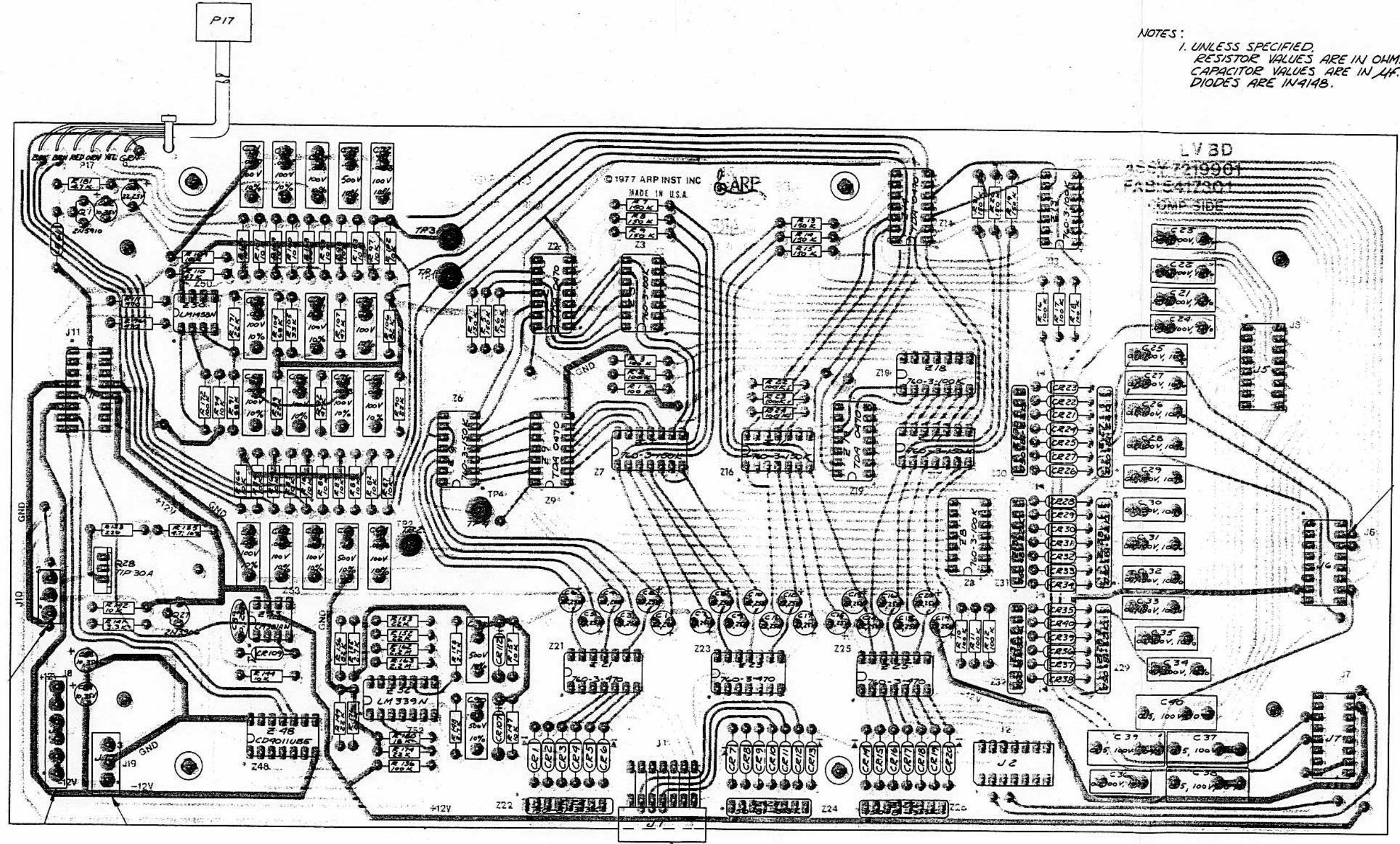


ARP INSTRUMENTS, INC.
SCHEMATIC, LOWER VOICING BOARD
QUADRA, Model 2460
Sheet 1 of 2

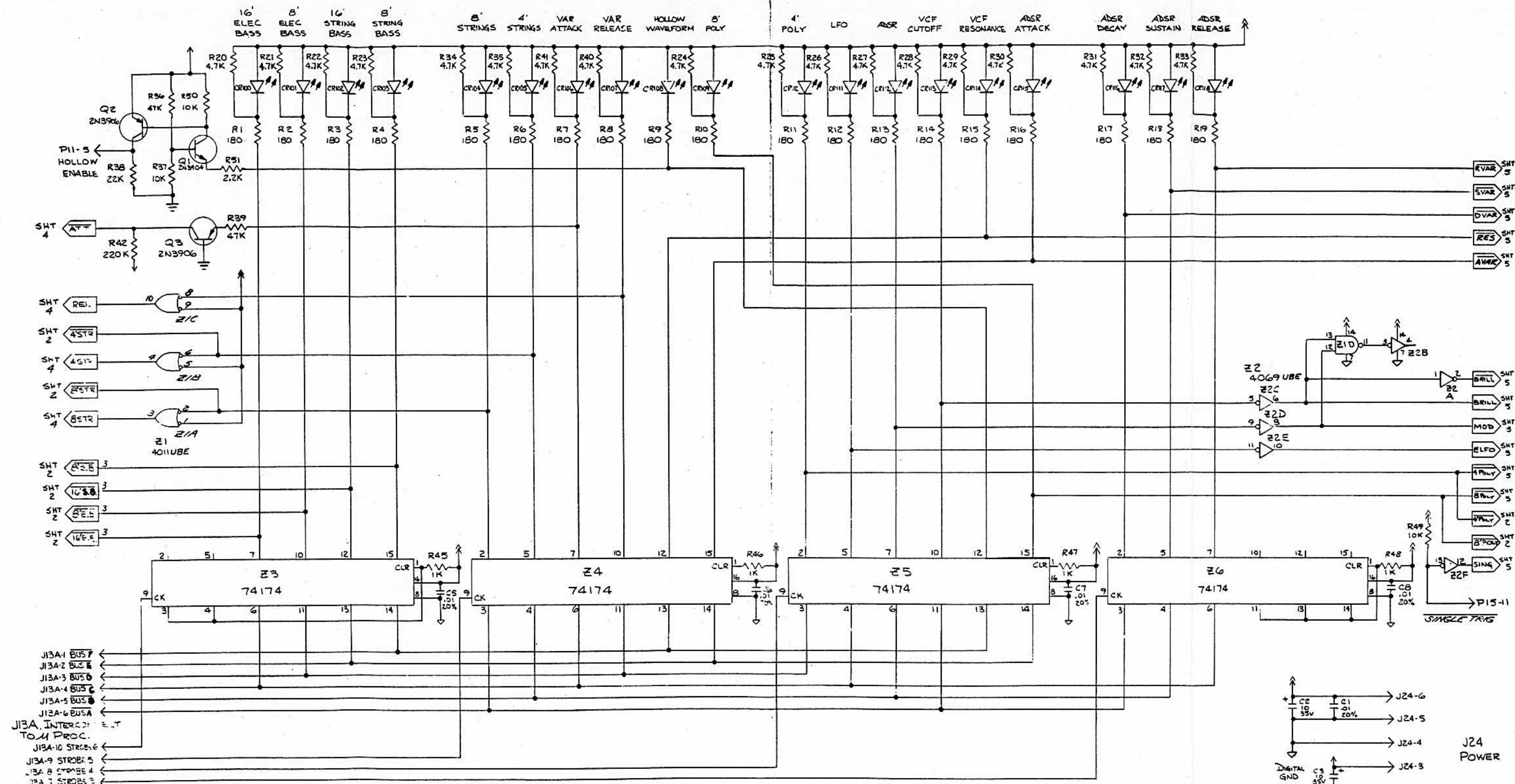


ARP INSTRUMENTS, INC.
 SCHEMATIC, LOWER VOICING BOARD
 QUADRA, Model 2460
 Sheet 2 of 2

NOTES:
 1. UNLESS SPECIFIED,
 RESISTOR VALUES ARE IN OHMS.
 CAPACITOR VALUES ARE IN μ F.
 DIODES ARE IN 4148.

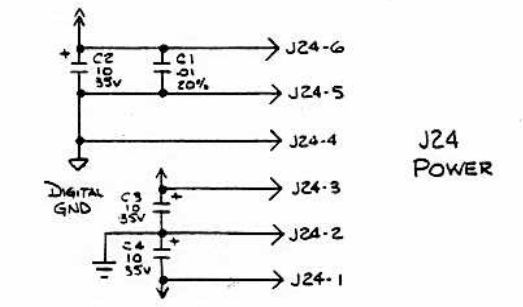


ARP INSTRUMENTS, INC.
 ASSEMBLY, LOWER VOICING BOARD
 QUADRA, Model 2460

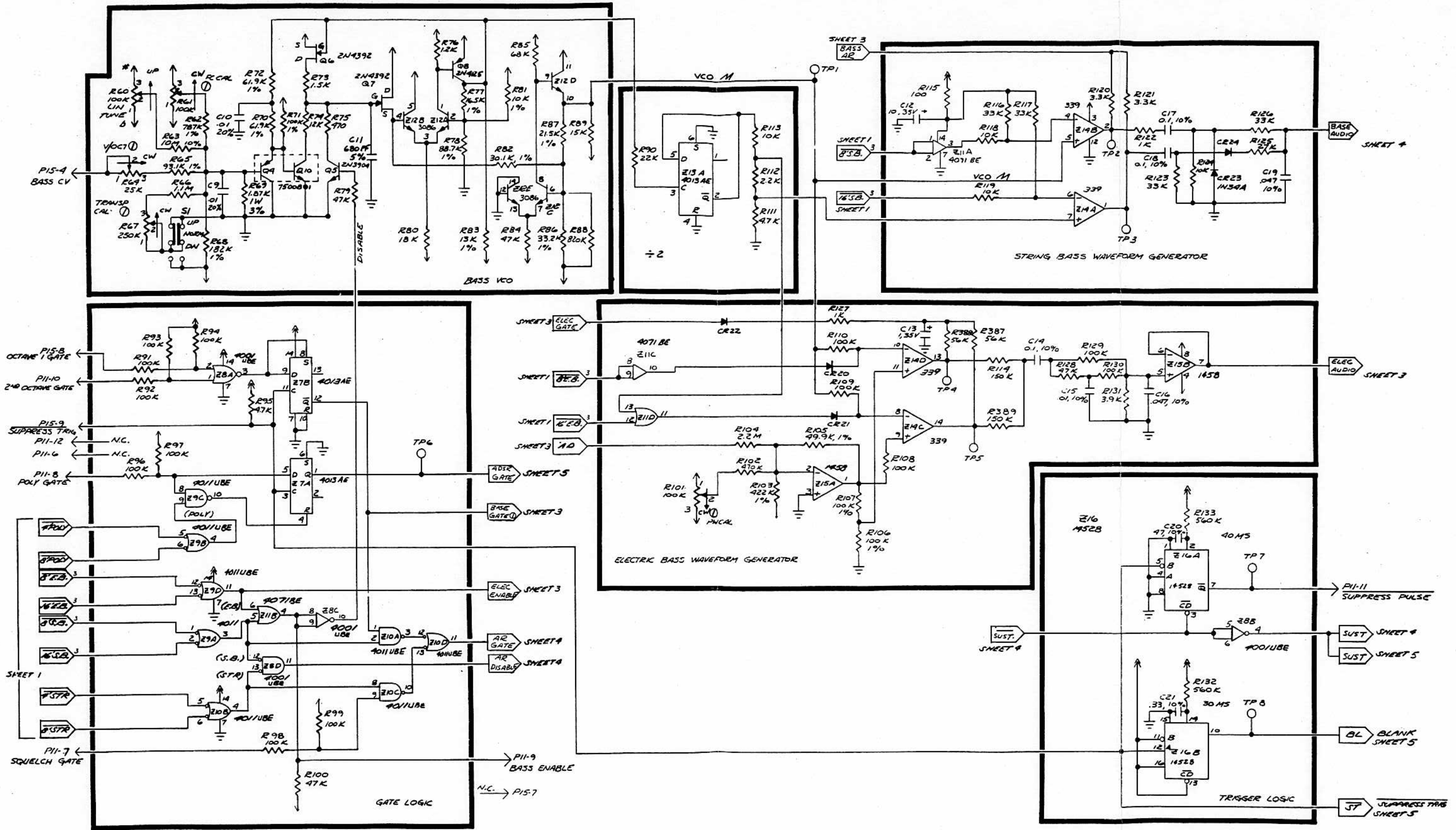


NOTES:
 1. UNLESS OTHERWISE SPECIFIED:
 RESISTOR VALUES ARE IN OHMS, 1/4W, 5%.
 CAPACITOR VALUES ARE IN μ F (P= PICO FARADS).
 DIODES ARE IN 4148, CR100-118 ARE FLV 510 LED'S.
 2. HIGHEST REF. DES: C22, CR118, P15, Q11, R406, Z45, J24, M1, S1.
 3. CONVENTIONS USED FOR SUPPLY VOLTAGE CONNECTIONS:

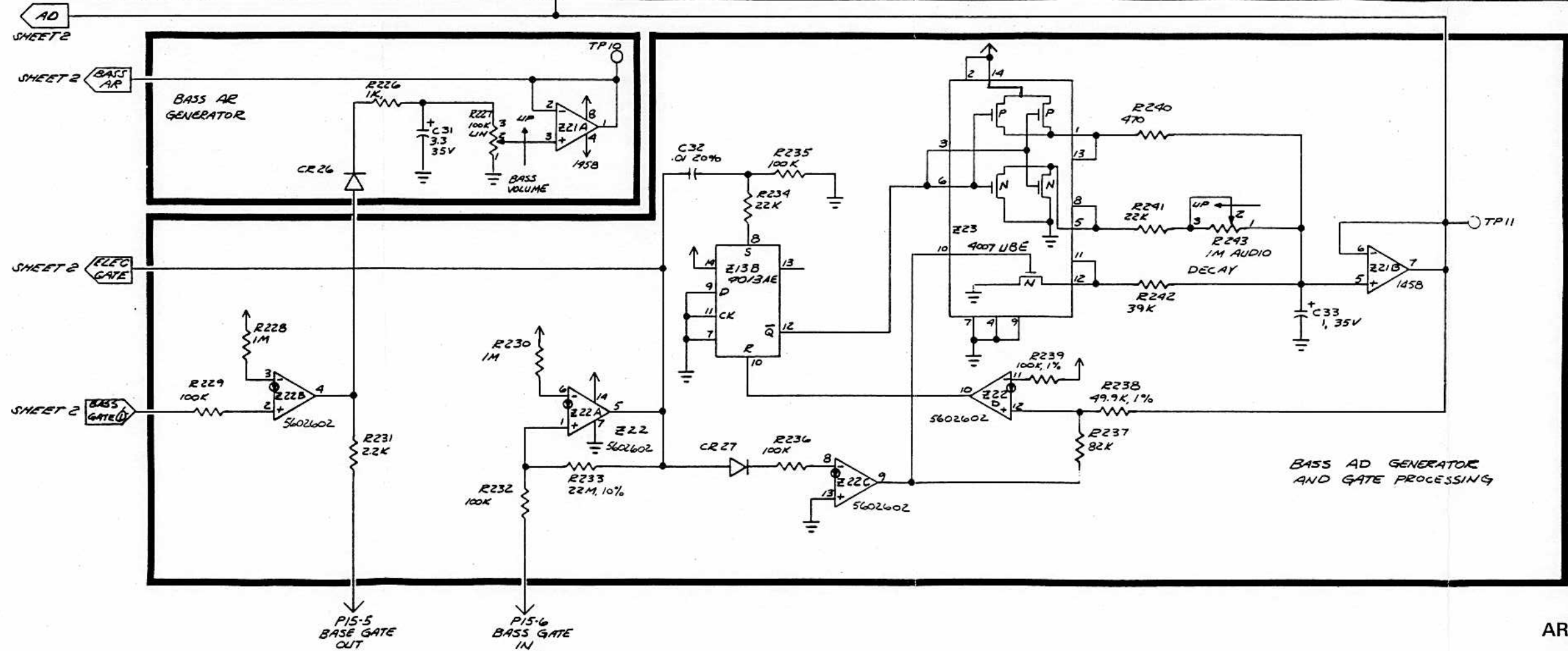
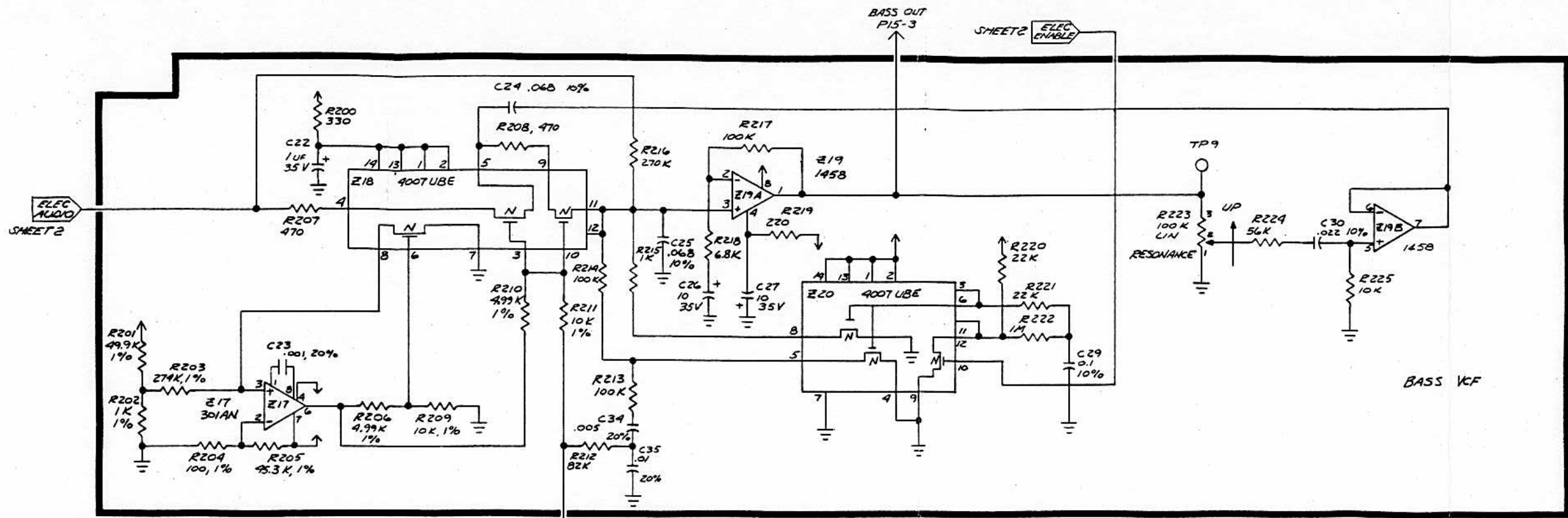
↑	IMPLIES +12V	↑
↓	IMPLIES -12V	↓
↑	IMPLIES +5V	↑
↓	IMPLIES -5V	↓



ARP INSTRUMENTS, INC.
 SCHEMATIC, POLY SYNTH BOARD
 QUADRA, Model 2460
 Sheet 1 of 5



ARP INSTRUMENTS, INC.
 SCHEMATIC, POLY SYNTH BOARD
 QUADRA, Model 2460
 Sheet 2 of 5



ARP INSTRUMENTS, INC.
 SCHEMATIC, POLY SYNTH BOARD
 QUADRA, Model 2460
 Sheet 3 of 5

Z11 1401101
 R19 1000904
 R5 1000915
 C35 1100611
 C30, 31, 44, 45 1100612
 C38 1100601
 C32, 33, 34, 36, 40, 42 1100616
 J40 2101302

LM1458

IC OP AMP DUAL
 POT ROT TRIM 1K 1/4W 30%
 POT ROT TRIM 100K 1/4W 30%
 CAP TANT 3.3UF 35V 10%
 CAP TANT 10UF 35V 20%
 CAP TANT 22UF 16V 20%
 CAP TANT 100UF 3V 20%
 SOCKET DUAL IN LINE 16P

LEAD/MIX BOARD

CR25, 26, 27, 28 1200101
 CR42-59 1200301
 CR40, 41 1201201
 CR119-127, 129, 131-133, 135-142 1201601
 CR128, 130, 134 1201602
 Q1, 10, 16, 17, 18, 20 1302901
 Q19, 21, 22 1303001
 Q9, 15 1305101
 Q7, 8, 13, 14 1301301
 Q5, 6, 11, 12 7500801
 Z75, 76 1408702
 Z9, 10, 17, 50, 52, 54, 56 1401101
 66, 67, 70
 Z63, 68, 69 1400801
 Z19-23, 57, 58, 65 1400501
 Z60 1407601
 Z61 1405401
 Z73 1404301
 Z18 1400601
 Z7 1410001
 Z26, 59, 71, 72 1404501
 Z74 1408401
 Z13, 14, 53, 55, 62 1406201
 Z8 1405801
 Z11, 15, 16, 24, 25 1406401
 Z5 1406601
 Z6 1408901
 Z1-4 1403001
 Z51, Z12 1409001
 Z64 5602602
 M1 7210501
 R340 1000901
 R341 1000911
 R223, 230, 252, 258, 301, 333 1000915
 338, 350
 R70, 156, 216, 226, 255, 282, 299, 325, 343, 397 5706802
 R52-56, 60 5700703
 R376, 377, 382 5706801
 C132 1100607
 C30 1100610
 C105 1100611
 C1, 2, 3, 8, 43-49, 117, 120, 121, 130, 131, 134, 135 1100612
 C125 1100608
 C136 1100614
 J22, 23, 31 2106101
 J15 2101302
 P40 2203404
 S1 1902401

1N34A
 1N4148

DIODE GE
 DIODE SIGNAL
 DIODE SIGNAL LOW LEAKAGE FD333
 DIODE LIGHT EMITTING RED

2N3904
 2N3906
 4125
 2N4392

DIODE LIGHT EMITTING GREEN
 TSTR NPN GP
 TSTR PNP GP
 TSTR PNP GP
 TSTR N CHANNEL
 TSTR ASSY NPN/PNP
 IC RES NETWORK 16P 10K
 IC OP AMP

698-3-R10K-D
 LM1458

LM301AN
 CA3086
 TL081
 CA339E
 CD4001AE
 CD4011BE
 CD4012BE
 CD4016AE
 CD4023
 CD4053BE
 CD4069UBE
 LM4558
 SN74LS04
 SN74LS26
 SN74174
 TL082

IC OP AMP
 IC TSTR ARRAY
 IC OP AMP FET
 IC QUAD COMP
 IC GATE 4 X 2I NOR
 IC GATE 4 X 2I NAND
 IC GATE 2 X 4I NAND
 IC QUAD BILAT SWITCH
 IC GATE 3 X 3I NAND
 IC TRIPLE 2 CHANNEL MUX
 IC HEX INVERTER
 IC OP AMP DUAL
 IC HEX INVERTER
 IC GATE 4 X 2I NAN HI VOLT
 IC FF HEX TYPE D
 IC OP AMP DUAL FET
 IC OP AMP QUAD NORTON
 PC BD ASSY VCF
 ROT ROT TRIM 100 OHM 1/4W 30%
 POT ROT TRIM 25K 1/4W 30%
 POT ROT TRIM 100K 1/4W 30%

4075

POT SLIDE LIN 100K 1/4W 30%

POT SLIDE LIN 100K 1/3W 30%
 POT SLIDE AUD 1M 1/4W 30%
 CAP TANT .47UF 35V 20%
 CAP TANT 1.5UF 35V 10%
 CAP TANT 3.3UF 35V 10%
 CAP TANT 10UF 35V 20%

CAP TANT 1UF 35V 10%
 CAP TANT .1UF 35V 20%
 SOCKET DUAL IN LINE 16P RT ANGLE
 SOCKET DUAL IN LINE 16P
 RIBBON CABLE 16P 9"
 SWITCH SLIDE DPDT

TOUCH SENSOR SWITCH BOARD

R1 1000915
 S1, 2 1900601

POT ROT TRIM 100K 1/4W 30%
 SWITCH SLIDE DP3T

MICROCOMPUTER BOARD

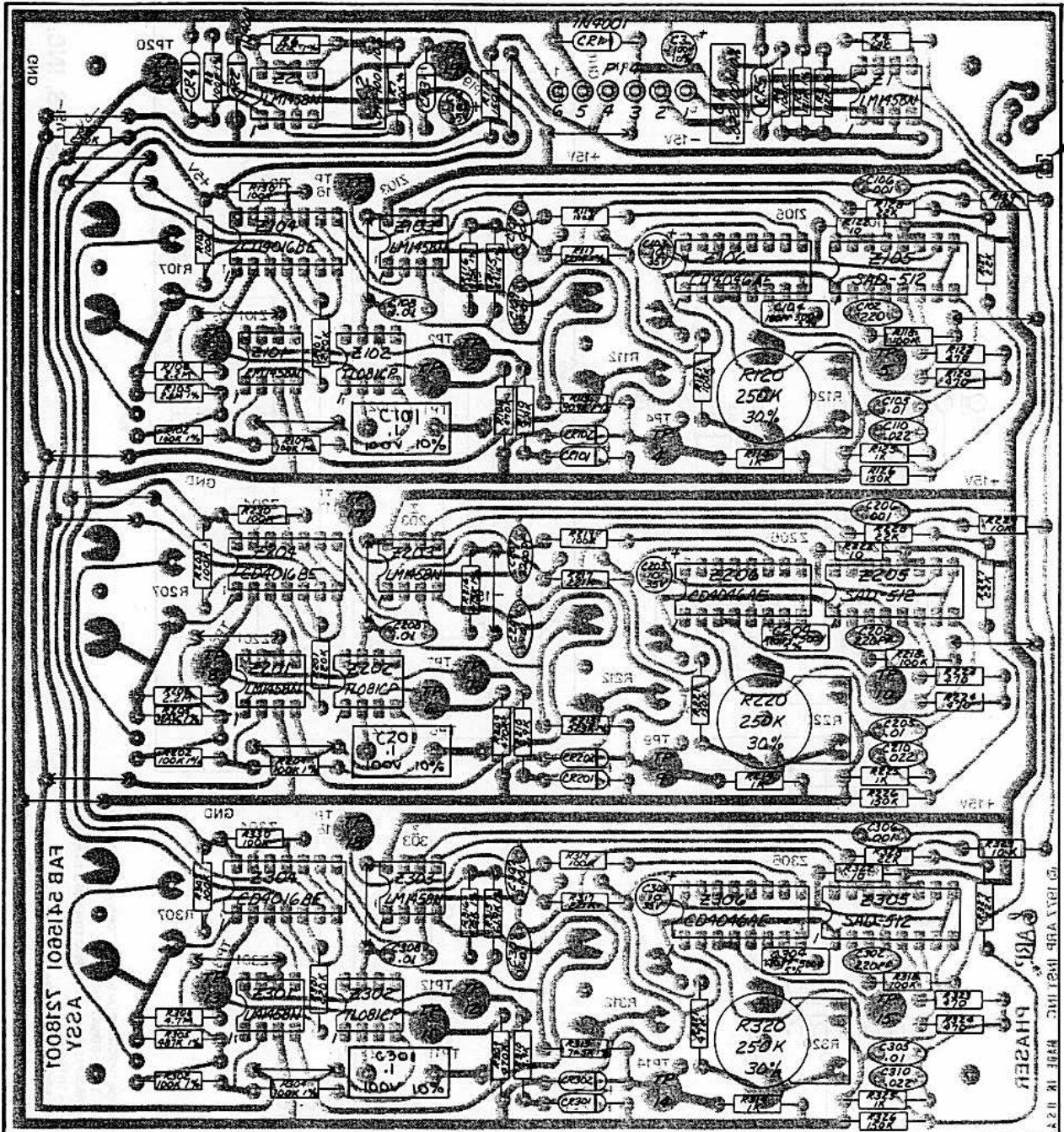
CR17-20, 29, 30, 32-34	1200301	1N4148	DIODE SIGNAL
Q1	1303001	2N3906	TSTR PNP GP
Q2	1301301	2N4392	TSTR N CHAN
CY1	2600301	_____	CRYSTAL 6MHZ
Z1	1409901	8748	IC SINGLE COMP 8-BIT
Z2, 3	1409401	8243	IC INPUT/OUTPUT EXPANDER
Z7	1409301	5101	IC STATIC CMOS RAM
Z8, 9, 15	1406601	SN74LS04	IC HEX INVERTER
Z4, 14	1408001	SN74LS145	IC BCD-DEC DECODER/DRIVER
Z5, 6	1409101	SN74LS175	IC QUAD D FLIP FLOP
Z10-13	1407101	SN74LS368	IC HEX INVERTER 3 STATE BUFFER
Z19, 20	1408901	SN74LS26	IC QUAD NAND GATE OC
Z21	1409501	CD4052BE	IC DUAL 4 CHAN MUX
Z27	1401101	LM1458	IC OP AMP DUAL
Z22, 23	1409001	TL082	IC OP AMP DUAL FET
Z29	1406002	_____	IC RES NETWORK 8P 22K
Z16	1409701	7523	IC 8 BIT CMOS DAC
Z26	1400801	LM301AN	IC OP AMP
C4, 6	1100609	_____	CAP TANT 1UF 35V 20%
C1, 2, 3	1100612	_____	CAP TANT 10UF 35V 20%
P12	2203404	_____	RIBBON CABLE 16P 24"
	2102703	_____	SOCKET DUAL IN LINE 16P
	2102704	_____	SOCKET DUAL IN LINE 22P
	2102705	_____	SOCKET DUAL IN LINE 24P
	2102706	_____	SOCKET DUAL IN LINE 40P
	2504501	_____	BATTERY HOLDER

POWER SUPPLY

Z3	1401301	723DC	IC VOLTAGE REGULATOR
Z4	1400801	LM301AN	IC OP AMP
CR1, 2	1201701	_____	DIODE RECT 50V 6A
CR3-9	1200201	1N4001	DIODE RECT 50V 1A
Q3	1303001	2N3906	TSTR PNP GP
R16	1000915	_____	POT ROT TRIM 100K 1/4W 30%
C1	1101502	_____	CAP ELECT 10,000UF 16V
C2, 3	1101301	_____	CAP ELECT 1000UF 50V 75-10%
C19	1101702	_____	CAP ELECT 250UF 50V 50-10%
C12-15	1100612	_____	CAP TANT 10UF 35V 20%
C16	1100609	_____	CAP TANT 1UF 35V 20%
Z1, 2	1407401	7805	IC +5V REGULATOR
Q1	1305301	110	TSTR DARL NPN
Q2	1305401	115	TSTR DARL PNP
S1	1903501	_____	SWITCH DPDT 115V/230V
T1	5706601	_____	TRANSFORMER 5 VOLT
T2	5704401	_____	TRANSFORMER
F1, 2	1700404	_____	FUSE PIGTAIL SLO-BLO 1/2A 250V

MISCELLANEOUS

R1	1000915	_____	POT ROT TRIM 100K 1/4W 30%
S1, 2	1900601	_____	SWITCH SLIDE DP3T
	7525101	_____	AC RECP
	5207904	_____	RT ENDBLOCK
	5207903	_____	LT ENDBLOCK
	2101601	_____	DIODE LIGHT EMITTING RED
	7500301	_____	SWITCH ASSY 11"



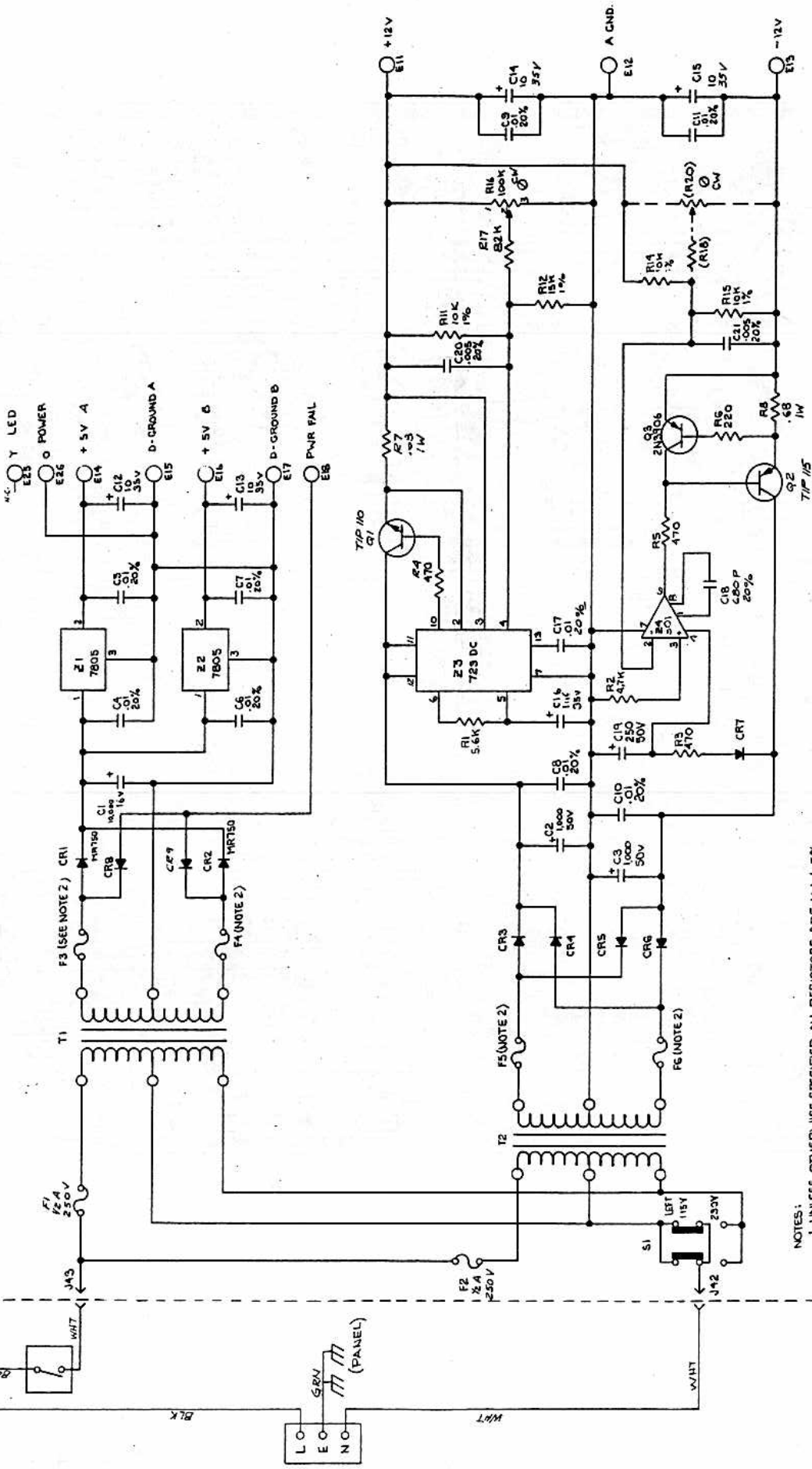
NOTES:

- 1) UNLESS OTHERWISE SPECIFIED:
 RESISTOR VALUES ARE IN OHMS, 1/4W, 5%
 CAPACITOR VALUES ARE IN μ F, 50V, 20% (PF=PICOFARADS)
 DIODIES ARE 1N4148

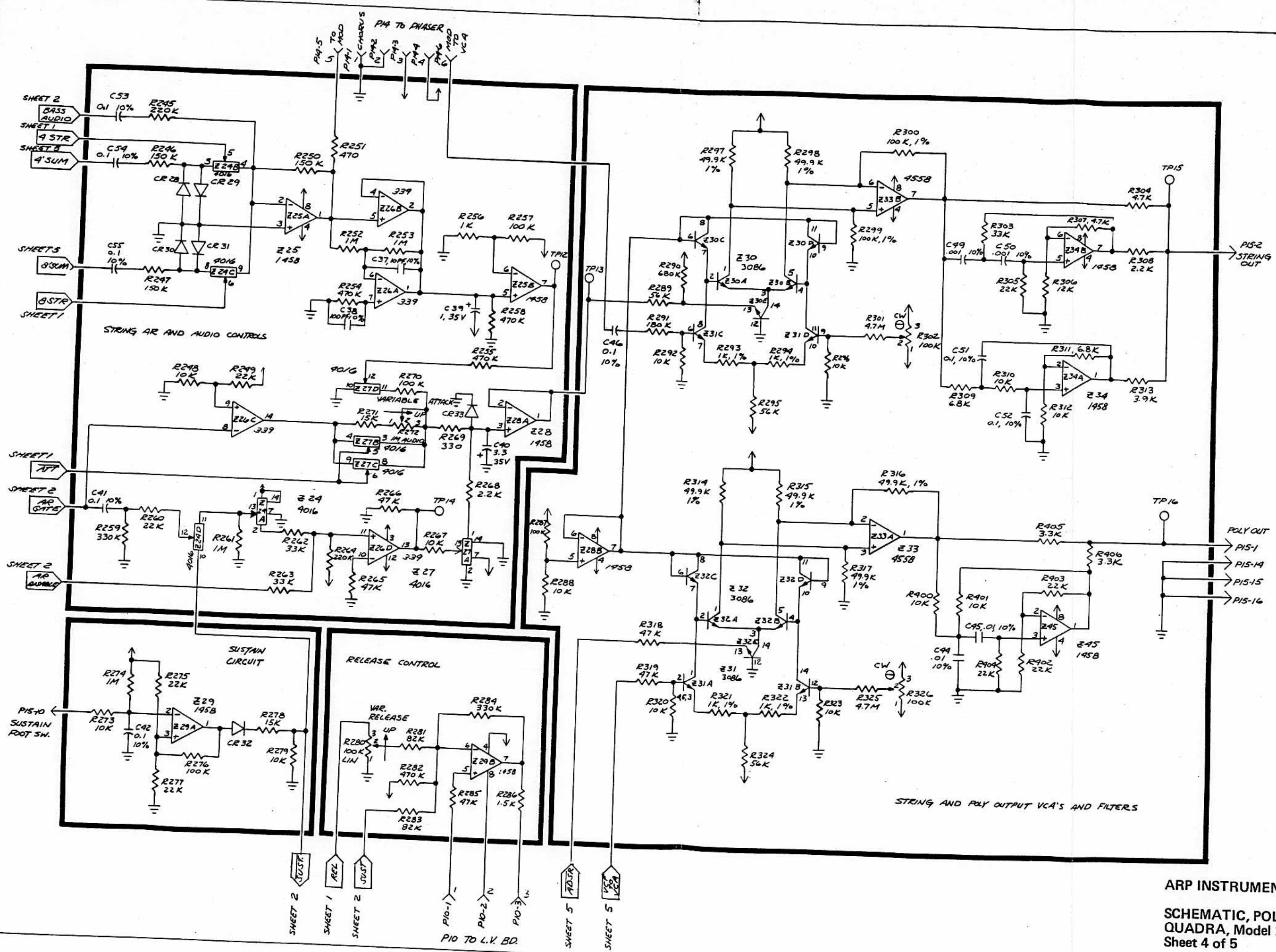
ARP INSTRUMENTS, INC.

ASSEMBLY, PHASER BOARD
 QUADRA, Model 2460

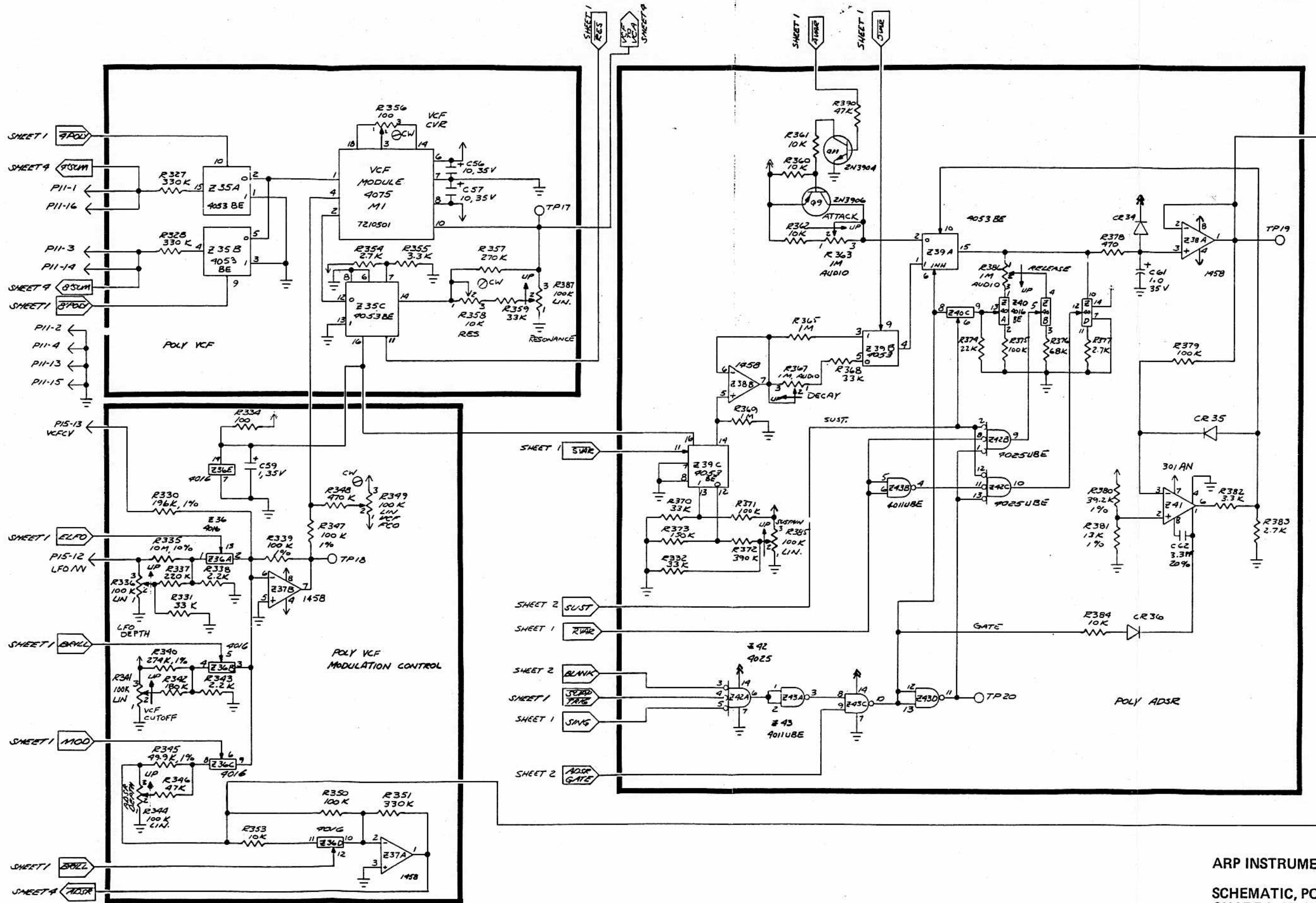
ARP INSTRUMENTS, INC.
 SCHEMATIC, POWER SUPPLY BOARD
 QUADRA, Model 2460



- NOTES:
1. UNLESS OTHERWISE SPECIFIED ALL RESISTORS ARE 1/4 W, 5%.
 2. F3, F4, F5 AND F6 TO BE SEMKO ONLY.
 3. UNLESS OTHERWISE SPECIFIED ALL CAPACITORS ARE IN MF (P = PICOFARADS).
 4. CR3 THRU CR9 ARE IN A4001.
 5. HIGHEST REF. DES. R20, C21, Q3, CR9, Z4, F6, S1, T2.



ARP INSTRUMENTS, INC.
SCHEMATIC, POLY SYNTH BOARD
QUADRA, Model 2460
Sheet 4 of 5



ARP INSTRUMENTS, INC.
 SCHEMATIC, POLY SYNTH BOARD
 QUADRA, Model 2460
 Sheet 5 of 5